

PM8 Series (PM8-STEP)

Step & Deck Light

Solid Copper Housing with White Painted Interior for Optimal Reflectivity

Dimensions: 8" x 1" x 1"

Wire Lead: 18/2 landscape cable (5' standard)

Lens: None

Lamp: G4 Bi-pin Lamp, 2 watt encapsulated LED standard. Optional 3 or 4 watt LED

Lamp Base: G4 / G6.35 ceramic holder rated 250V, 1000 watt.

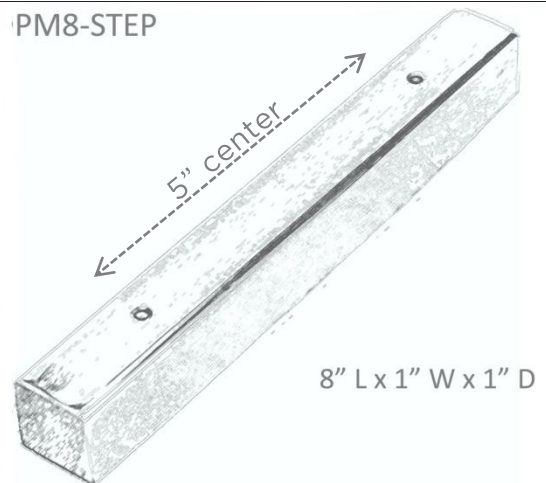
Mount: Includes top mounting holes and mounting screws. Holes on 5 inch centers.

Optional Mounts: Keyholes on back instead of top holes. Also available with top plate for mounting under capstone of rock walls.

Finish options include Polished, Brushed Satin, and custom Antique (additional charge applies)

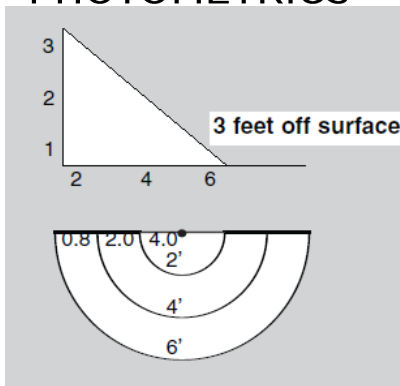


PM8-STEP



8" L x 1" W x 1" D

PHOTOMETRICS



Conforms to UL Standard 1838

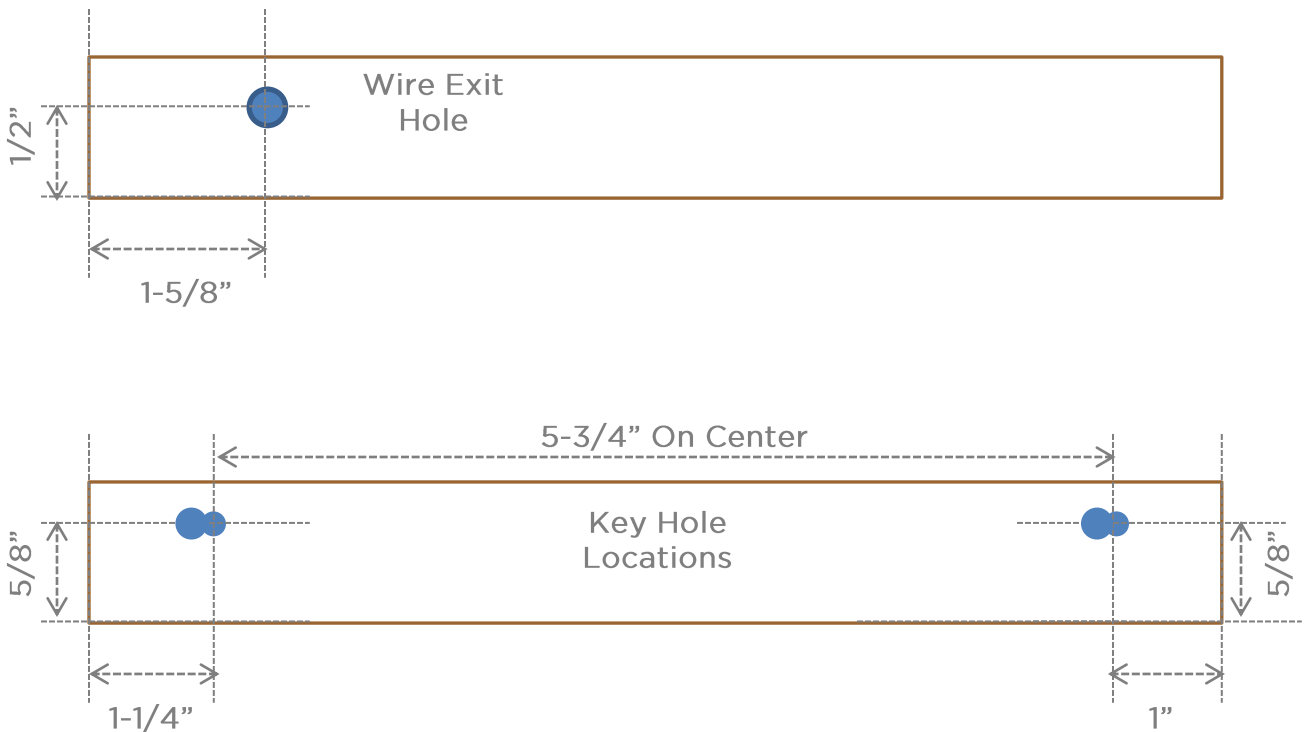


PM8 Series (PM8-STEP)

Step & Deck Light

Optional Mounting Configuration

Keyhole Mounts (Back side of fixture*)



***NOTE:** This view is looking at the back side of the fixture from behind. The Wire Exit Hole will be on the right side of the fixture when looking at the installed fixture on the wall.

Conforms to UL
Standard 1838

