

# PM8 Series (PM8-PL)

## Post & Deck Light

Solid Copper Housing with White Painted Interior for Optimal Reflectivity. 1-1/2" x 3" solid brass mounting plate fits narrow posts.

Dimensions: 2-5/8" x 3-1/4" x 1-1/2"

Wire Lead: 12" socket wire to connect to any 18/2 cable.

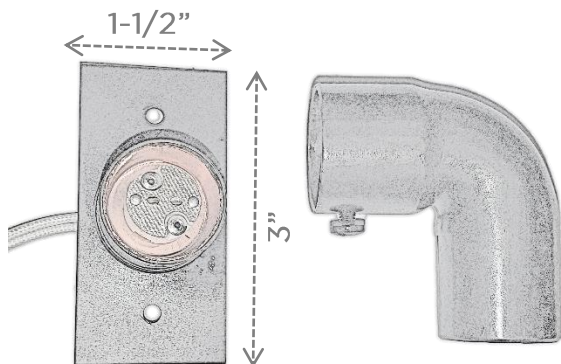
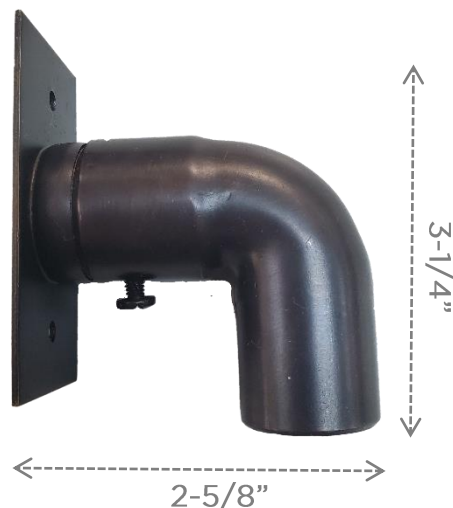
Lamp: G4 Bi-pin Lamp, 2 watt encapsulated LED standard.

Lamp Base: G4 / G6.35 ceramic holder rated 250V, 1000 watt.

Mount: Includes mounting holes in back plate, center wire hole, and mounting screws. Mounting holes on 2 inch centers.

Design : Perfect for lighting metal fence posts where a small fixture is needed for the narrow post. Easy, flush mounted installation.

Finish options include Polished, Brushed Satin, and custom Antique/Black (additional charge applies)



Conforms to UL  
Standard 1838

