



# PM7 Series (Model PM7L2T)

## 7 1/2" Two-Tier Copper Path Light

Solid Copper Top with white painted bottom for optimal reflectivity

Dimensions : 7 3/8" x 5 -3/4"

Wire Lead: 18/2 landscape cable (includes Quick Connectors)

Lens: Clear shatter resistant lens

Lamp: G4 Bi-pin Lamp, 4 watt LED standard. Optional 2, 3, or 4 watt HO (High Output) LED

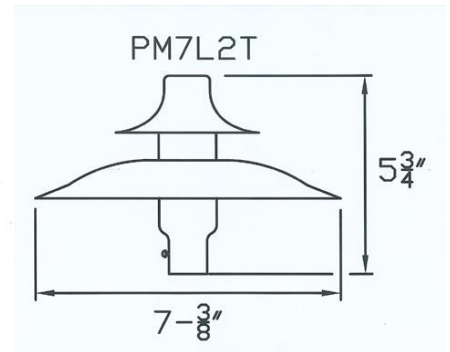
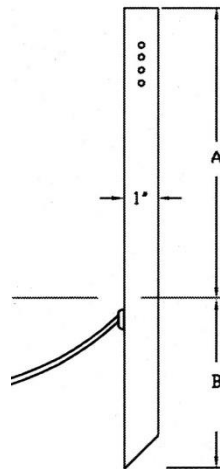
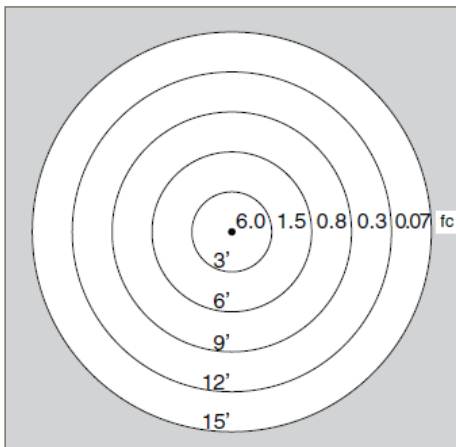
Lamp Base: G4 / G6.35 ceramic holder rated 250V, 1000 watt.

Mount: Standard Power Stake (PS) or optional surface mount. Standard lengths available from 12" to 40".

Finish options include Polished, Brushed Satin, and custom Antique (additional charge applies)



### PHOTOMETRICS



Conforms to UL Standard 1838



Intertek 3182781