



PM4 Series (Model PM4)

Solid Copper Up/Down Light

Solid Copper Up/Down Directional Light for decks, walls, and other bi-directional illumination

Dimensions : 2" x 4"

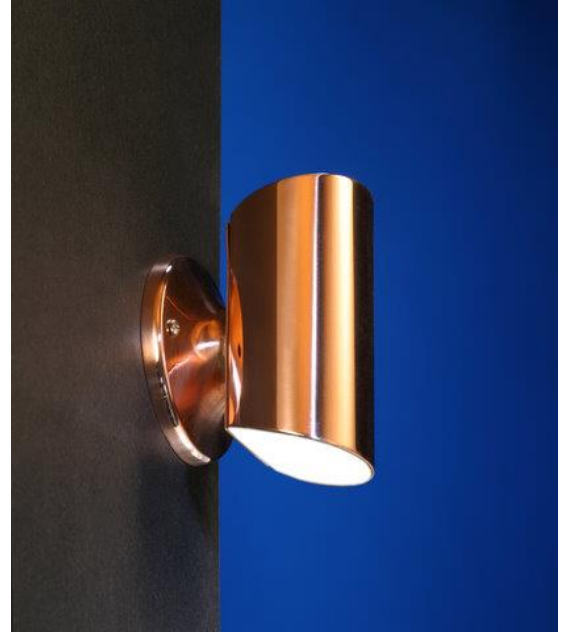
Wire Lead: 18/2 landscape cable, 5 foot standard (includes Quick Connectors)

Lamp: G4 Bi-pin Lamp, 2 watt encapsulated LED standard. Optional 4 watt LED

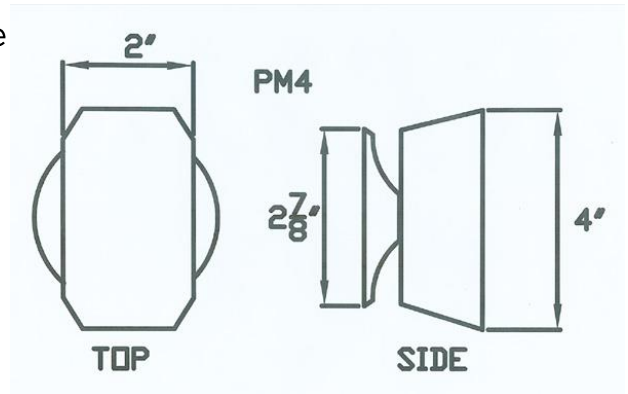
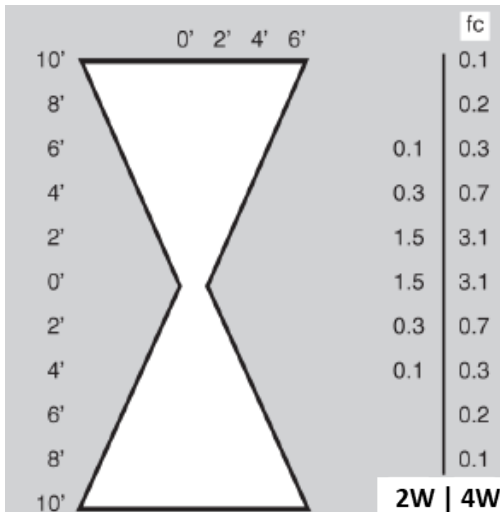
Lamp Base: G4 / G6.35 ceramic holder rated 250V, 1000 watt.

Mount: Includes standard surface mount and mounting screws

Finish options include Polished, Brushed Satin, and custom Antique (additional charge applies)



PHOTOMETRICS



Conforms to UL Standard 1838



Intertek
3182781