

MRH Series (Model MRH-EXT)

Solid Copper Directional Spot/Flood Light (Moonlight)

Solid Copper Bullet Design spot and flood light with solid brass adjustable knuckle. Mounts on surface mount.

Dimensions : 2-1/8" x 7-15/16"

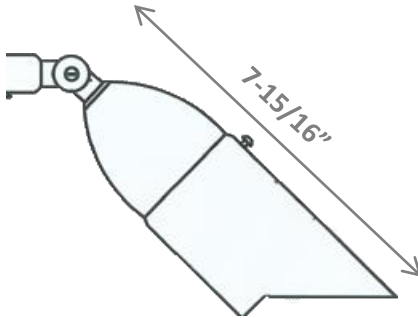
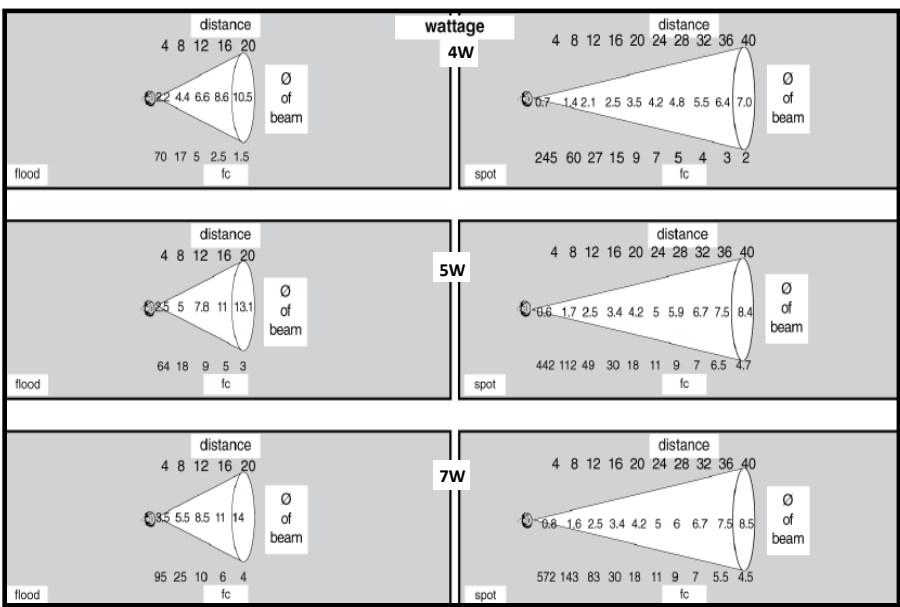
Wire Lead: 18/2 landscape cable (includes Quick Connectors)

Lens: No Lens Standard (shown). Clear or Prismatic Tempered Borosilicate Glass lens available with drain hole option

Lamp: MR16 style 5 watt LED Lamp standard. Optional 4 or 7 watt LED



PHOTOMETRICS



Conforms to UL Standard 1838

