

# MRH Series (Model MRH)

## Solid Copper Directional Spot/Flood Light

Solid Copper Bullet Design spot and flood light with solid brass adjustable knuckle. Mounts on ground stake or surface mount.

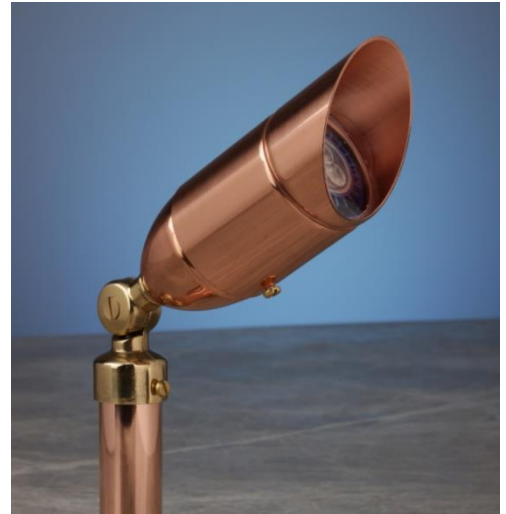
**Dimensions :** 2-1/8" x 6-15/16"

**Wire Lead:** 18/2 landscape cable (includes Quick Connectors)

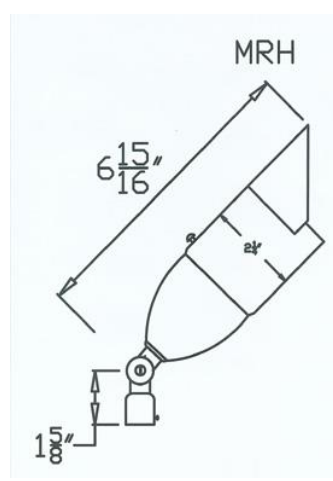
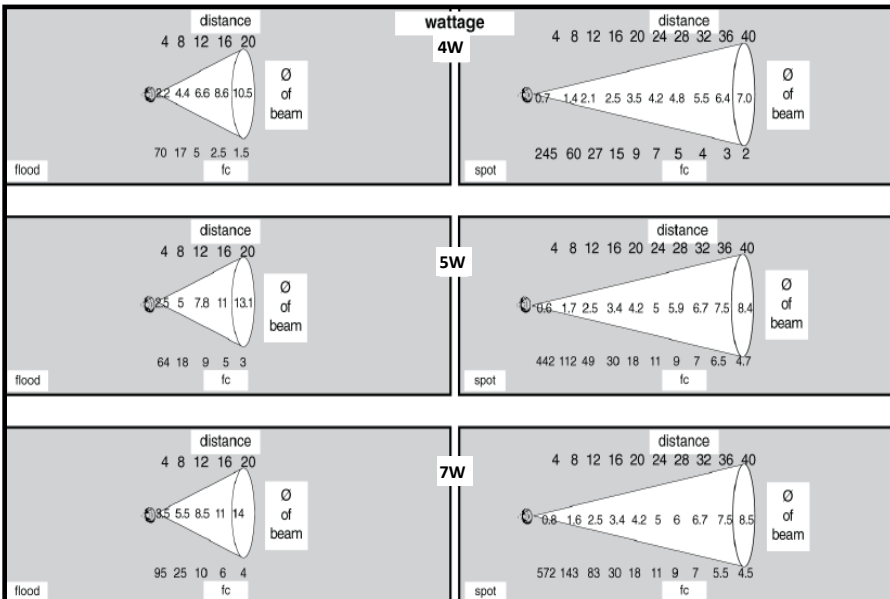
**Lens:** Clear or Prismatic Tempered Borosilicate Glass lens.

**Lamp:** MR16 style 5 watt LED Lamp standard. Optional 4 or 7 watt LED.

**Options:** Choose standard Eyebrow version (shown) or Flat Cut version.



### PHOTOMETRICS



**Conforms to UL Standard 1838**

