



Ph. 615.792.6884
Fax 615.792.6898

Landscape Architect Specification Binder 2014 Edition Version 2.0

Index

- Path & Area Lightsp. 3-10
- Directional & Spot Lightsp. 11-17
- Wash Washers & Well Lightsp. 18-21
- Specialty Applications & Hanging Lightsp. 22-25
- Deck & Patio Lightsp. 26-32
- LED Components for all fixturesp. 33-40

Specifier Notes

1. All copper fixtures are available in the following finishes: polished, brushed satin, antique bronze, antique black satin.
2. Regardless of finish chosen, all copper fixtures are solid raw copper and will naturally age to a patina finish unless a clear coat is specified.
3. All fixtures carry a limited lifetime warranty against manufacturing defects and workmanship. Socket components are easily field replaceable.
4. Any fixture that is mounted on a stake or surface mount is available in several stock lengths but can be custom ordered to any specified length as needed for your design.
5. All fixtures can be ordered with extended 16/2 leads for hub style installation. Please specify 15' or 25' extended 16/2 leads if needed. Otherwise, the standard 18/2 lead with easy quick connectors will be shipped.
6. Halogen lamps are commercial grade, branded lamps, typically Sylvania®, Osram®, and General Electric®.
7. LED Lamps are designed specifically for outdoor use and are weather resistant. Par36 LED lamps are IP67 rated, suitable for in-ground well use. All LED lamps come with a 5-year warranty.
8. Have a unique lighting problem? Since we are a manufacturing company, we can often help design and build a custom fixture to meet your needs. Call us to discuss your application and needs first.

Copyright 2014—All rights reserved—Last revision May 23, 2014

1094 No. Main St. - P. O. Box 98 – Ashland City, TN 37015

www.pmlighting.com



Path & Area Lights



1094 N Main Street
Ashland City, TN 37015
615.792.6884
www.pmlighting.com



P.M. Lighting, LLC

Ph. 615.792.6884

Fax 615.792.6898

PM7 Series (Model PM7)

6" Copper Path Light

Solid Copper Top with white painted bottom for optimal reflectivity

Dimensions : 6" x 4 -1/2"

Wire Lead: 18/2 landscape cable (includes Quick Connectors)

Lens: Tempered Borosilicate Glass

Lamp: G4 Bi-pin Lamp, 20 watt halogen or 2 watt LED standard (35 watt maximum)

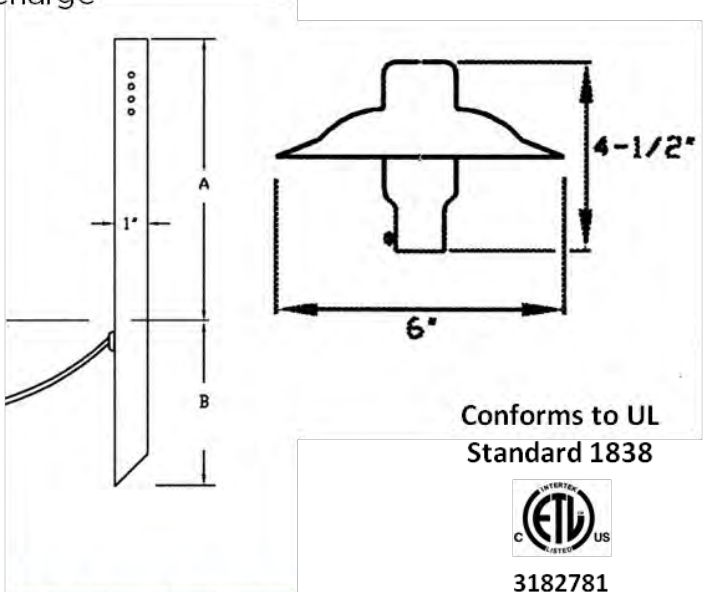
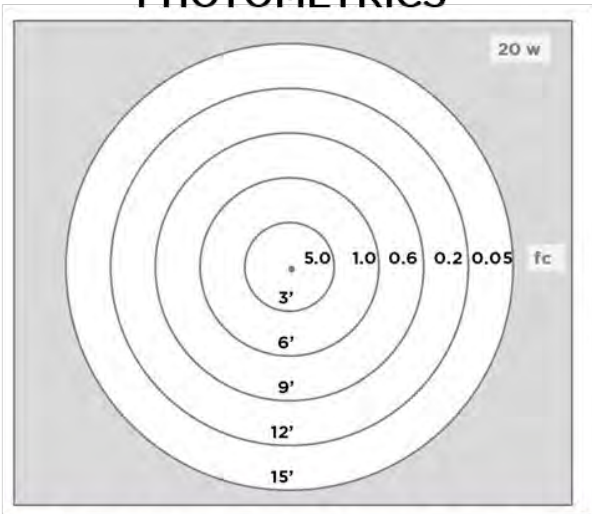
Lamp Base: G4 / G6.35 ceramic holder rated 250V, 1000 watt.

Mount: Standard Power Stake (PS) or optional surface mount. Standard lengths available from 12" to 40".

Finish options include Polished, Brushed Satin, and custom Antique (additional charge applies)



PHOTOMETRICS



Conforms to UL Standard 1838



3182781

1094 No. Main St. - P. O. Box 98 – Ashland City, TN 37015

www.pmlighting.com



P.M. Lighting, LLC

Ph. 615.792.6884

Fax 615.792.6898

PM7 Series (Model PM7H)

6" Copper Half Top Path Light

Solid Copper Top with white painted bottom for optimal reflectivity

Dimensions : 6" x 4 -1/2"

Wire Lead: 18/2 landscape cable (includes Quick Connectors)

Lens: Tempered Borosilicate Glass

Lamp: G4 Bi-pin Lamp, 20 watt halogen or 2 watt LED standard (35 watt maximum)

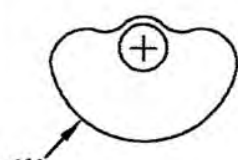
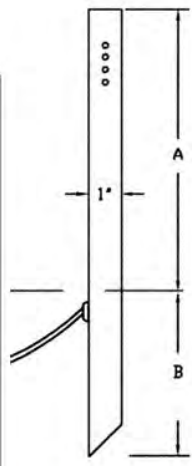
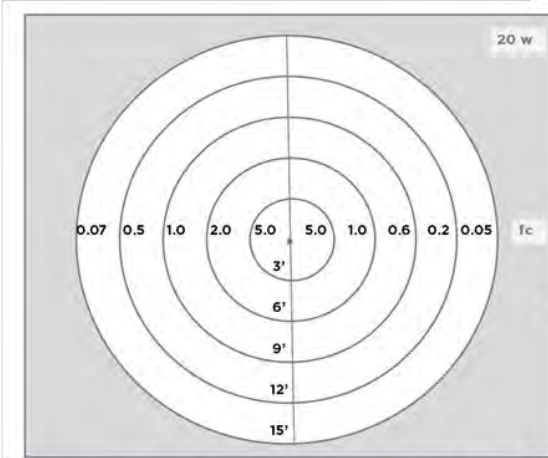
Lamp Base: G4 / G6.35 ceramic holder rated 250V, 1000 watt.

Mount: Standard Power Stake (PS) or optional surface mount. Standard lengths available from 12" to 40".

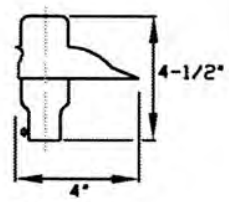
Finish options include Polished, Brushed Satin, and custom Antique (additional charge applies)



PHOTOMETRICS



TOP VIEW



PM7H

Conforms to UL Standard 1838



3182781

1094 No. Main St. - P. O. Box 98 – Ashland City, TN 37015

www.pmlighting.com



P.M. Lighting, LLC

Ph. 615.792.6884

Fax 615.792.6898

PM7 Series (Model PM7M)

4" Copper Path Light

Solid Copper Top with white painted bottom for optimal reflectivity

Dimensions : 4" x 4 -1/2"

Wire Lead: 18/2 landscape cable (includes Quick Connectors)

Lens: Tempered Borosilicate Glass

Lamp: G4 Bi-pin Lamp, 20 watt halogen or 2 watt LED standard (35 watt maximum)

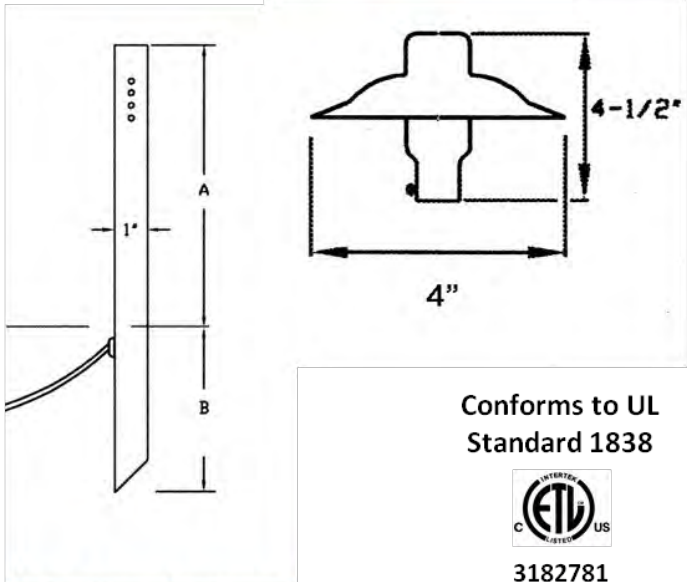
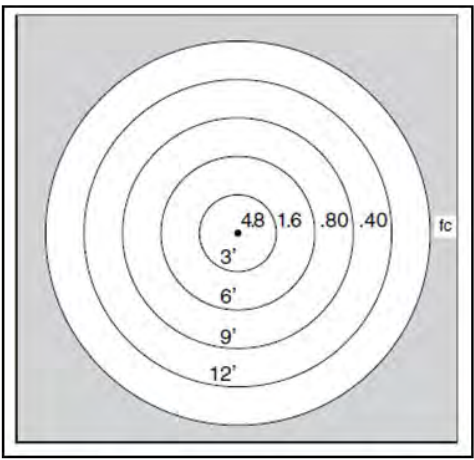
Lamp Base: G4 / G6.35 ceramic holder rated 250V, 1000 watt.

Mount: Standard Power Stake (PS) or optional surface mount. Standard lengths available from 12" to 40".

Finish options include Polished, Brushed Satin, and custom Antique (additional charge applies)



PHOTOMETRICS



1094 No. Main St. - P. O. Box 98 – Ashland City, TN 37015

www.pmlighting.com



P.M. Lighting, LLC

Ph. 615.792.6884

Fax 615.792.6898

PM7 Series (Model PM7L)

7 1/2" Copper Path Light

Solid Copper Top with white painted bottom for optimal reflectivity

Dimensions : 7 3/8" x 4 -3/8"

Wire Lead: 18/2 landscape cable (includes Quick Connectors)

Lens: Tempered Borosilicate Glass

Lamp: G4 Bi-pin Lamp, 20 watt halogen or 2 watt LED standard (35 watt maximum)

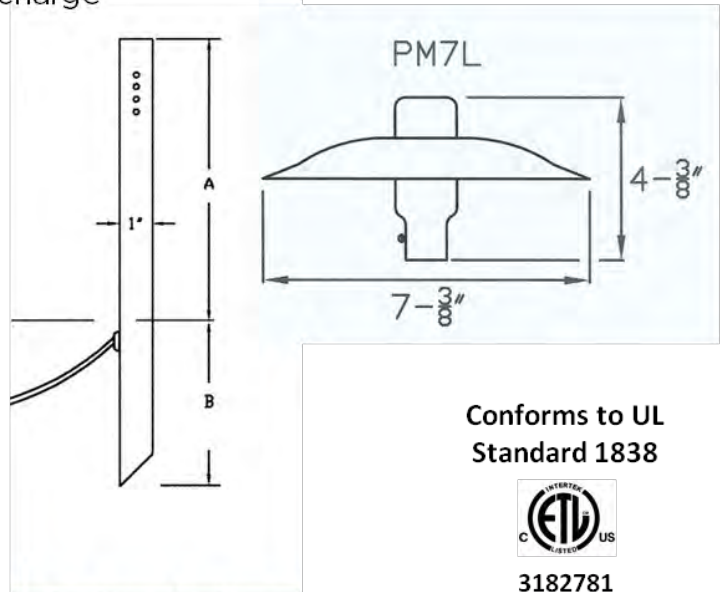
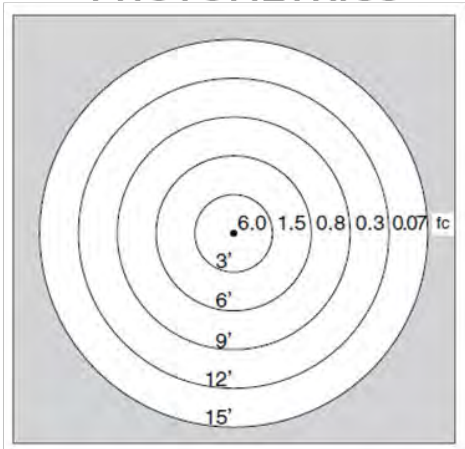
Lamp Base: G4 / G6.35 ceramic holder rated 250V, 1000 watt.

Mount: Standard Power Stake (PS) or optional surface mount. Standard lengths available from 12" to 40".

Finish options include Polished, Brushed Satin, and custom Antique (additional charge applies)



PHOTOMETRICS



1094 No. Main St. - P. O. Box 98 – Ashland City, TN 37015

www.pmlighting.com



P.M. Lighting, LLC

Ph. 615.792.6884

Fax 615.792.6898

PM7 Series (Model PM7LH)

7 1/2" Copper Half Top Path Light

Solid Copper Top with white painted bottom for optimal reflectivity

Dimensions : 7-3/8" x 4-3/8"

Wire Lead: 18/2 landscape cable (includes Quick Connectors)

Lens: Tempered Borosilicate Glass

Lamp: G4 Bi-pin Lamp, 20 watt halogen or 2 watt LED standard (35 watt maximum)

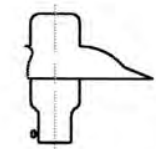
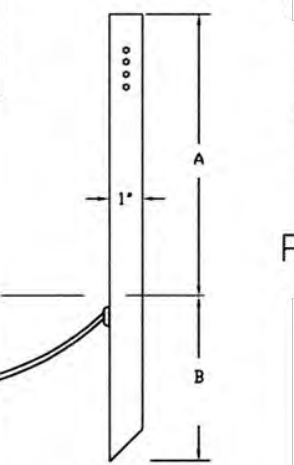
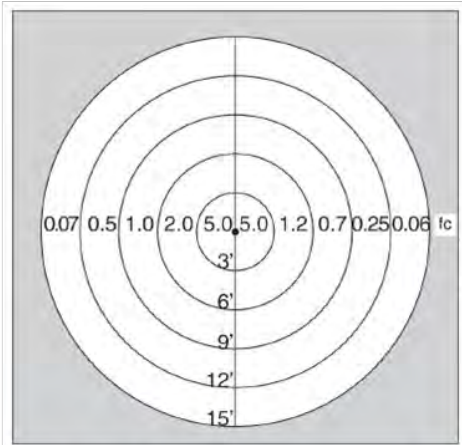
Lamp Base: G4 / G6.35 ceramic holder rated 250V, 1000 watt.

Mount: Standard Power Stake (PS) or optional surface mount. Standard lengths available from 12" to 40".

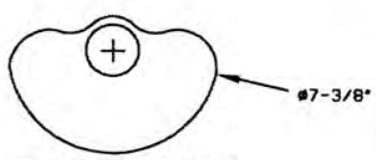
Finish options include Polished, Brushed Satin, and custom Antique (additional charge applies)



PHOTOMETRICS



PM7LH



TOP VIEW

Conforms to UL Standard 1838



3182781

1094 No. Main St. - P. O. Box 98 – Ashland City, TN 37015

www.pmlighting.com



P.M. Lighting, LLC

Ph. 615.792.6884

Fax 615.792.6898

PM7 Series (Model PM7L2T)

7 1/2" Two-Tier Copper Path Light

Solid Copper Top with white painted bottom for optimal reflectivity

Dimensions : 7 3/8" x 5 -3/4"

Wire Lead: 18/2 landscape cable (includes Quick Connectors)

Lens: Tempered Borosilicate Glass

Lamp: G4 Bi-pin Lamp, 20 watt halogen or 2 watt LED standard (35 watt maximum)

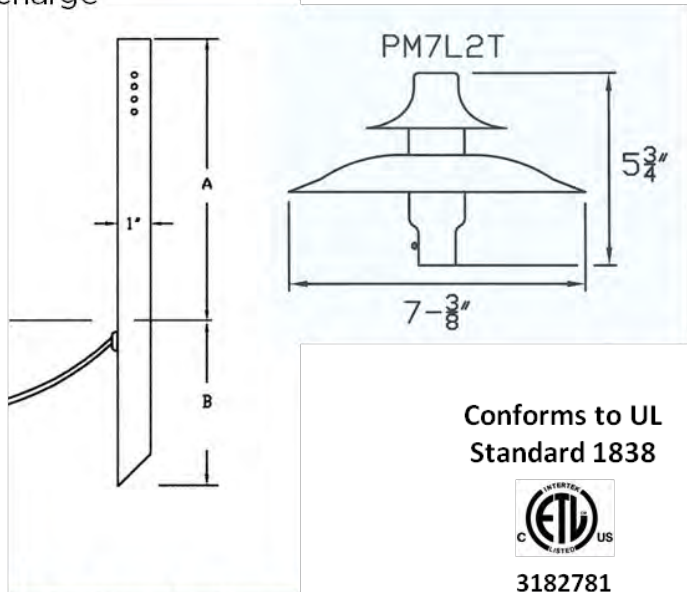
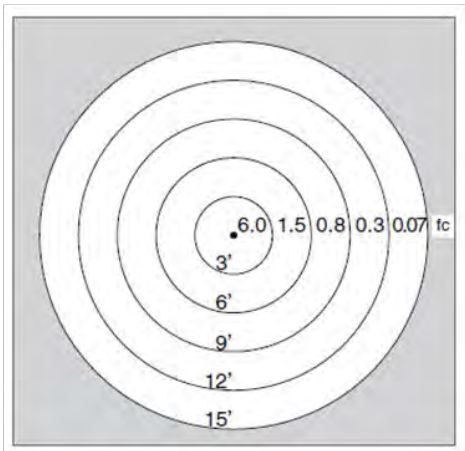
Lamp Base: G4 / G6.35 ceramic holder rated 250V, 1000 watt.

Mount: Standard Power Stake (PS) or optional surface mount. Standard lengths available from 12" to 40".

Finish options include Polished, Brushed Satin, and custom Antique (additional charge applies)



PHOTOMETRICS



Conforms to UL Standard 1838



3182781

1094 No. Main St. - P. O. Box 98 – Ashland City, TN 37015

www.pmlighting.com



P.M. Lighting, LLC

Ph. 615.792.6884

Fax 615.792.6898

PM7 Series (Model PM7XLC)

11" Copper Path Light

Solid Copper Top with white painted bottom for optimal reflectivity

Dimensions : 11" x 7"

Wire Lead: 18/2 landscape cable (includes Quick Connectors)

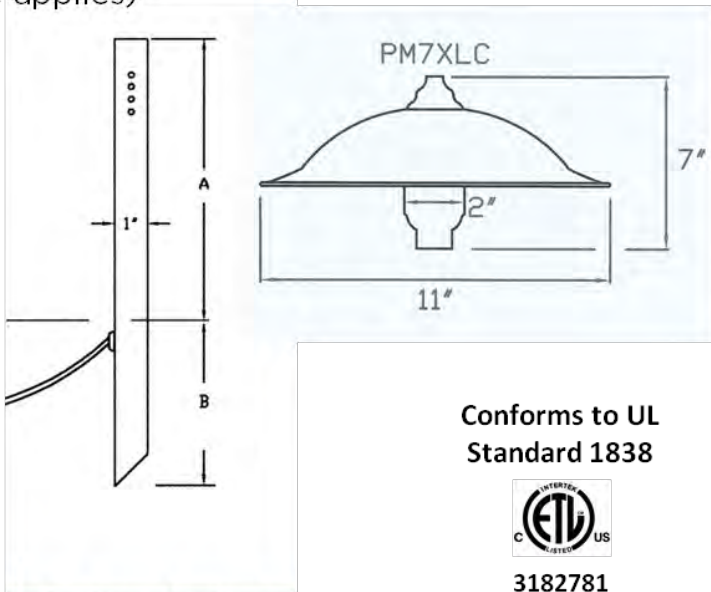
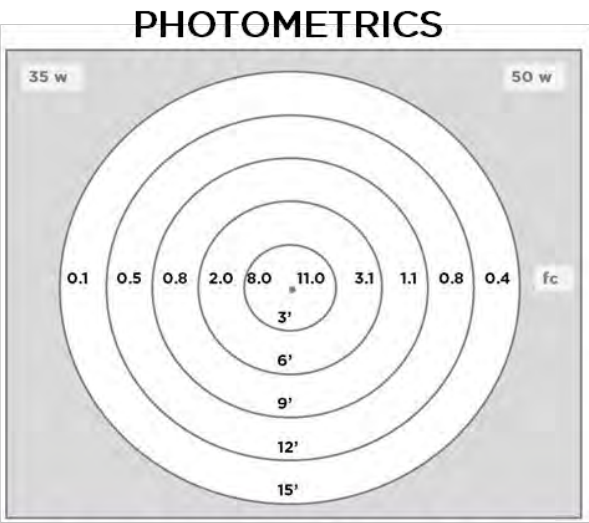
Lens: Tempered Borosilicate Glass

Lamp: G4 Bi-pin Lamp, 35 watt halogen or 3 watt LED standard (50 watt maximum)

Lamp Base: G4 / G6.35 ceramic holder rated 250V, 1000 watt.

Mount: Standard Power Stake (PS) or optional surface mount. Standard lengths available from 12" to 40".

Finish options include Polished, Brushed Satin, and custom Antique (additional charge applies)



1094 No. Main St. - P. O. Box 98 – Ashland City, TN 37015

www.pmlighting.com



Ph. 615.792.6884
Fax 615.792.6898

PM8 Series (Model PM8-STM)

Copper Path & Area Light

Solid Copper Housing with white painted interior for optimal reflectivity

Dimensions : 4-5/8" x 2-1/4" x 2-3/8"

Wire Lead: 18/2 landscape cable with male terminal connectors.

Lens: Optional Polycarbonate (standard for LED fixture)

Lamp: G4 Bi-pin Lamp, 10 watt halogen or 2 watt LED standard (20 watt maximum)

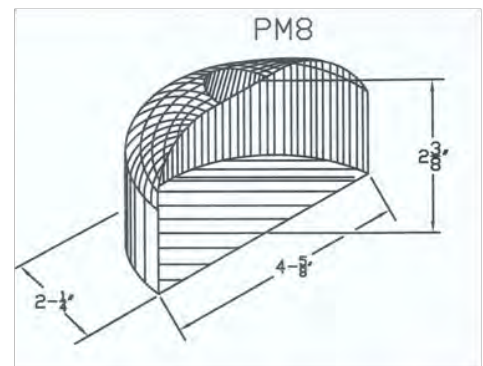
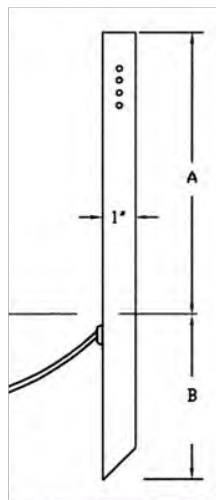
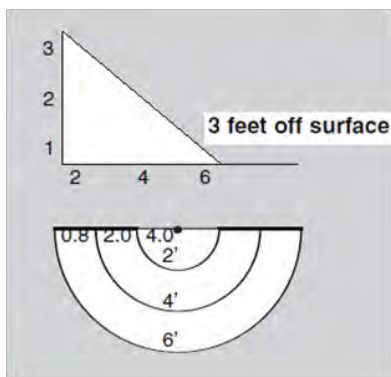
Lamp Base: G4 / G6.35 ceramic holder rated 250V, 1000 watt

Mount: Adjustable brass knuckle for standard ground stake or surface mounting. Specify mounting option as required when ordering.

Finish options include Polished, Brushed Satin, and custom Antique (additional charge applies)



PHOTOMETRICS



Conforms to UL
Standard 1838



3182781

1094 No. Main St. - P. O. Box 98 - Ashland City, TN 37015

www.pmlighting.com



Ph. 615.792.6884
Fax 615.792.6898

PM7 Series (Model PM7-DX)

Copper Path & Area Light

Solid Copper Housing with white painted interior for optimal reflectivity

Dimensions : 10" L x 2" x 5-1/4"

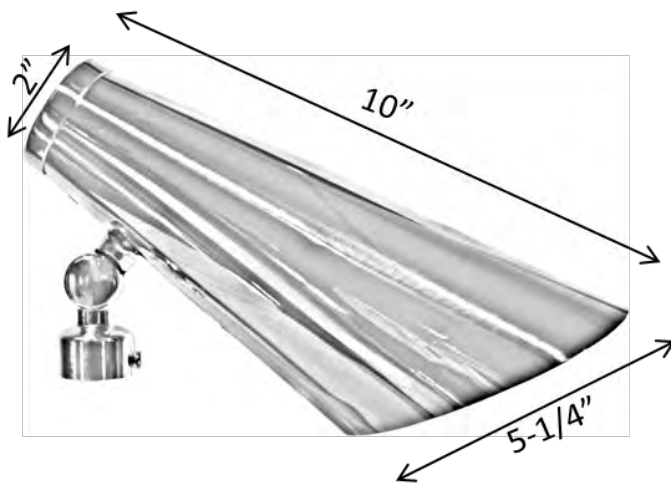
Wire Lead: 18/2 landscape cable with male terminal connectors.

Lamp: G4/G6 Bi-pin Lamp, 35 watt halogen or 2 watt LED standard (35 watt maximum)

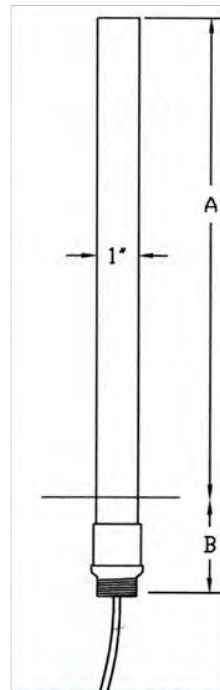
Lamp Base: G4 / G6.35 ceramic holder rated 250V, 1000 watt

Mount: Adjustable brass knuckle for standard ground stake or surface mounting. Specify mounting option as required when ordering. Standard stake lengths available from 12" - 40".

Finish options include Polished, Brushed Satin, and custom Antique (additional charge applies)



NPT STAKE OPTION



Conforms to UL
Standard 1838



3182781

1094 No. Main St. - P. O. Box 98 - Ashland City, TN 37015

www.pmlighting.com



Directional & Spot Lights



1094 N Main Street
Ashland City, TN 37015
615.792.6884
www.pmlighting.com



P.M. Lighting, LLC

Ph. 615.792.6884

Fax 615.792.6898

MRH Series (Model MRH)

Solid Copper Directional Spot/Flood Light

Solid Copper Bullet Design spot and flood light with solid brass adjustable knuckle. Mounts on ground stake or surface mount.

Dimensions : 2-1/8" x 6-15/16"

Wire Lead: 18/2 landscape cable (includes Quick Connectors)

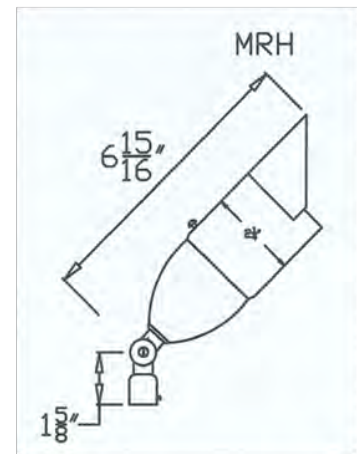
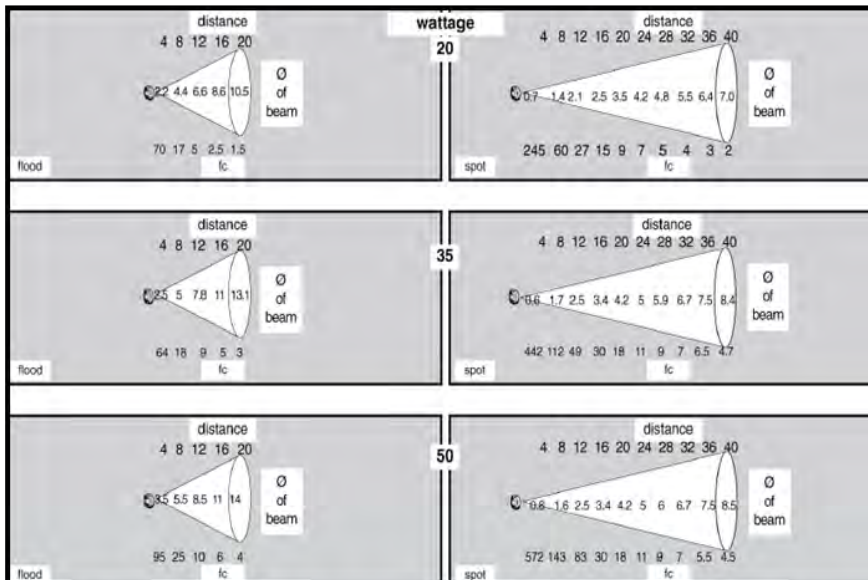
Lens: Clear or Prismatic Tempered Borosilicate Glass lens

Lamp: MR16 Halogen Lamps (35 watt standard, 50 watt maximum) or MR16 LED (5 watt std)

Options: Choose standard Eyebrow version (shown) or Flat Cut version



PHOTOMETRICS



Conforms to UL Standard 1838



3182781

1094 No. Main St. - P. O. Box 98 – Ashland City, TN 37015

www.pmlighting.com



P.M. Lighting, LLC

Ph. 615.792.6884

Fax 615.792.6898

PM1 Series (Model 1H) Solid Copper Directional Light

Solid Copper Directional Light for lighting trees, walls, and other wash illumination

Dimensions : 3-1/4" x 7-1/8"

Wire Lead: 18/2 landscape cable (includes Quick Connectors)

Lens: None

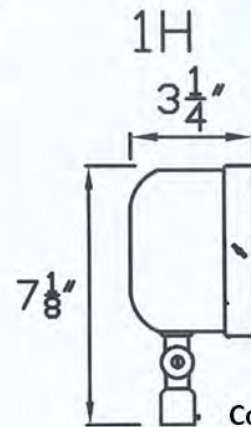
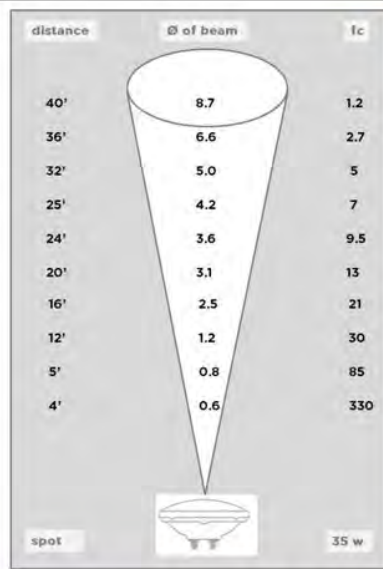
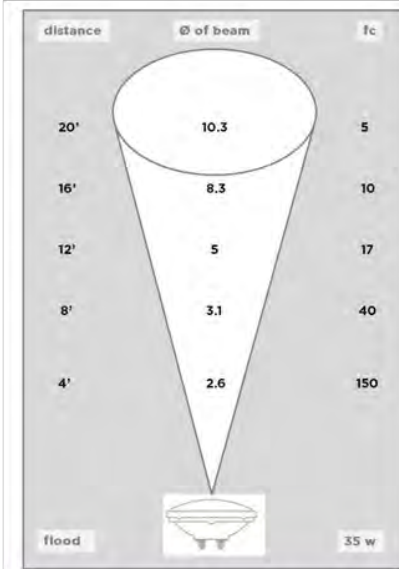
Lamp: Par36 Sealed Lamps, 35 watt halogen or 9 watt LED standard (50 watt maximum)

Mount: Standard ground stake (GS) or optional surface mount. Standard lengths available from 9" to 40"

Options: Shields S1H (half- shown), S1HL (half/long), S1F (full), and S1FL (full/long)



PHOTOMETRICS



Conforms to UL Standard 1838



3182781

1094 No. Main St. - P. O. Box 98 – Ashland City, TN 37015

www.pmlighting.com



P.M. Lighting, LLC

Ph. 615.792.6884

Fax 615.792.6898

PM1 Series (Model 1T)

Solid Copper Directional Tree Light

Solid Copper Directional Light for lighting trees, walls, and other wash illumination

Dimensions : 3-3/16" x 4-1/4"

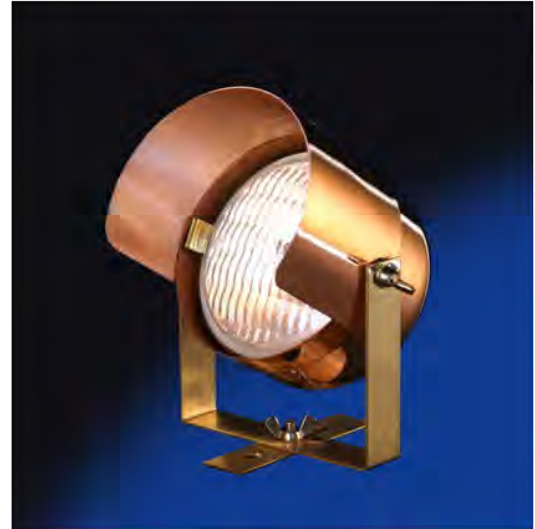
Wire Lead: 18/2 landscape cable (includes Quick Connectors)

Lens: None

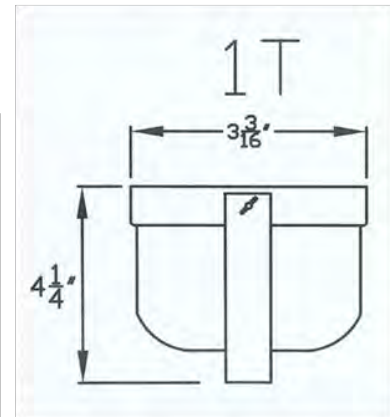
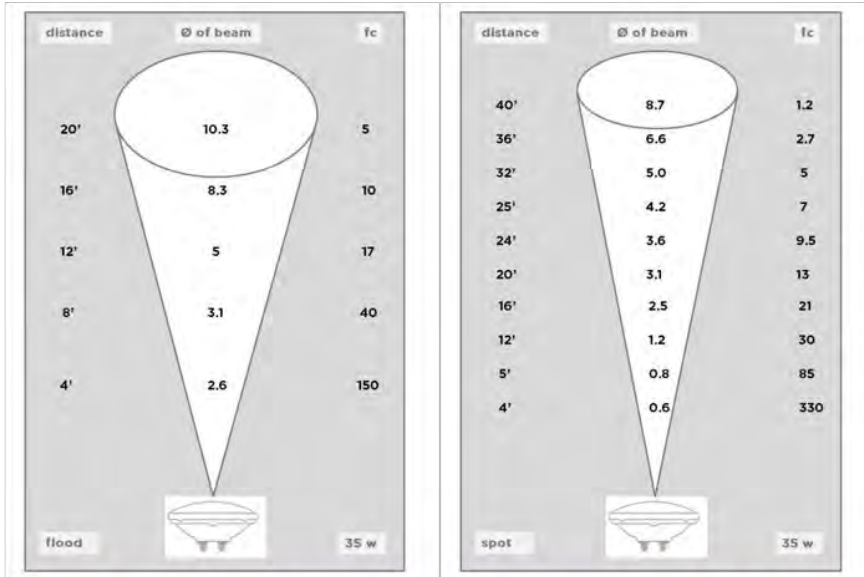
Lamp: Par36 Sealed Lamps, 35 watt halogen or 9 watt LED standard (50 watt maximum)

Mount: Standard brass mounting bracket with stainless steel screws

Options: Shields S1H (half- shown), S1HL (half/long), S1F (full), and S1FL (full/long)



PHOTOMETRICS



Conforms to UL Standard 1838



3182781

1094 No. Main St. - P. O. Box 98 – Ashland City, TN 37015

www.pmlighting.com



P.M. Lighting, LLC

Ph. 615.792.6884

Fax 615.792.6898

PM5 Series (Model PM5)

180° Copper Directional Light

Solid Copper Top with white painted bottom for optimal reflectivity. Used with copper Swivel Arm (shown) for adjustable angles

Dimensions : 1-1/2" x 5 -1/8"

Wire Lead: 18/2 landscape cable (includes Quick Connectors)

Lens: Tempered Borosilicate Glass

Lamp: G4 Bi-pin Lamp, 20 watt halogen or 2 watt LED standard (35 watt maximum)

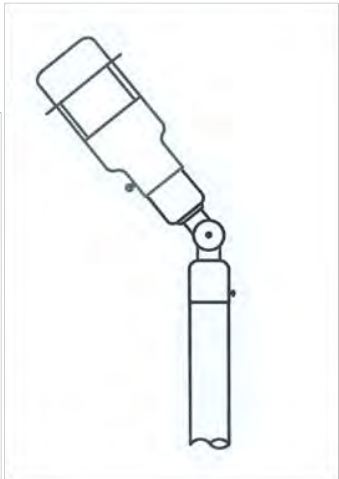
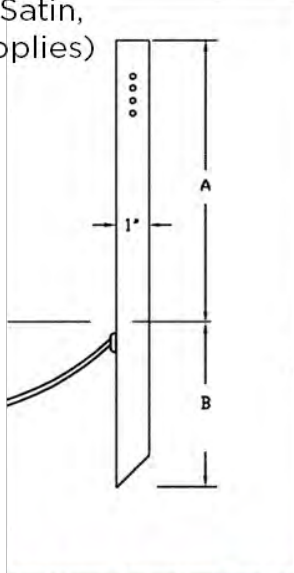
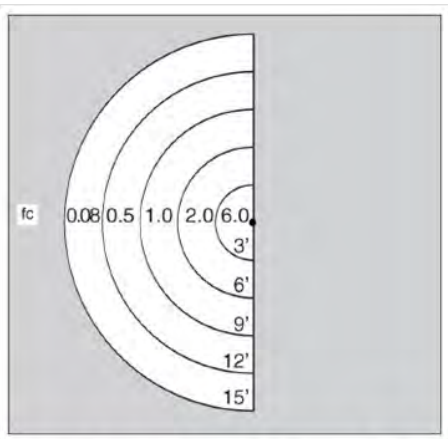
Lamp Base: G4 / G6.35 ceramic holder rated 250V, 1000 watt.

Mount: Standard Ground Stake (GS) or optional surface mount. Must use SW-ARM with power socket. Standard lengths available from 9" to 40".

Finish options include Polished, Brushed Satin, and custom Antique (additional charge applies)



PHOTOMETRICS



Conforms to UL Standard 1838



3182781

1094 No. Main St. - P. O. Box 98 – Ashland City, TN 37015

www.pmlighting.com



P.M. Lighting, LLC

Ph. 615.792.6884

Fax 615.792.6898

PM5 Series (Model PM5L)

180° Copper Directional Light

Solid Copper Top with white painted bottom for optimal reflectivity. Used with copper Swivel Arm (shown) for adjustable angles

Dimensions : 2-1/8" x 5 -3/4"

Wire Lead: 18/2 landscape cable (includes Quick Connectors)

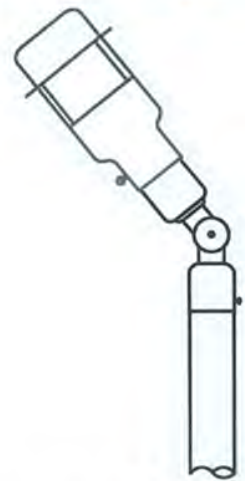
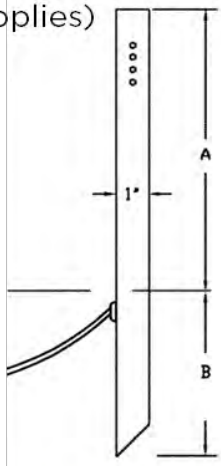
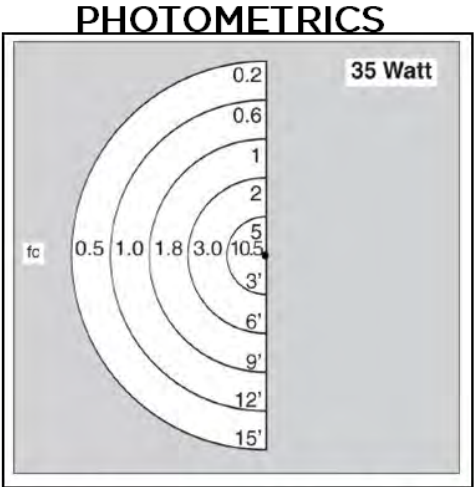
Lens: Tempered Borosilicate Glass

Lamp: G4 Bi-pin Lamp, 35 watt halogen or 3 watt LED standard (35 watt maximum)

Lamp Base: G4 / G6.35 ceramic holder rated 250V, 1000 watt.

Mount: Standard Ground Stake (GS) or optional surface mount. Must use SW-ARM with power socket. Standard lengths available from 9" to 40".

Finish options include Polished, Brushed Satin, and custom Antique (additional charge applies)



Conforms to UL Standard 1838



3182781

1094 No. Main St. - P. O. Box 98 – Ashland City, TN 37015

www.pmlighting.com



P.M. Lighting, LLC

Ph. 615.792.6884

Fax 615.792.6898

PM12 Series (Model PM12)

Copper Directional Light

Solid Copper Directional Light with mirrored insert for optimal reflectivity. Solid Brass adjustable knuckle.

Dimensions : 5" W x 3" H x 2" D

Wire Lead: 18/2 landscape cable (includes Quick Connectors)

Lens: Tempered Borosilicate Glass

Lamp: Dual G4 Bi-pin Lamps, 20 watt halogen or 2 watt LED standard (2 x 20 watt max.)

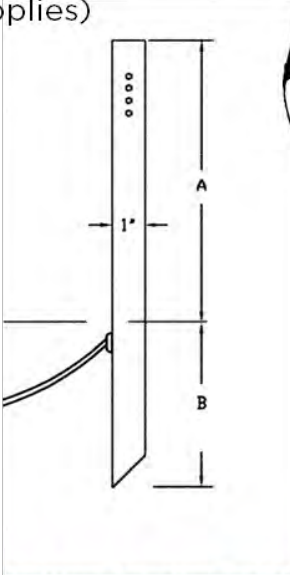
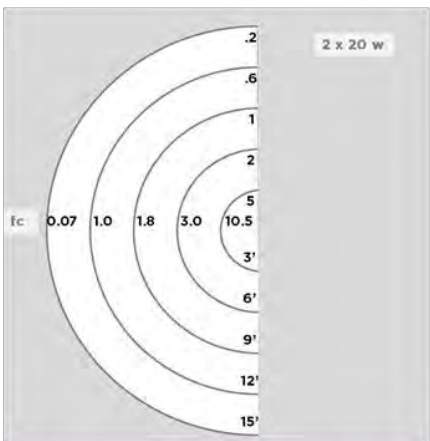
Lamp Base: G4 / G6.35 ceramic holder rated 250V, 1000 watt.

Mount: Standard Ground Stake (GS) or optional 1/2" Threaded NPT Mount. Standard GS lengths available from 9" to 40".

Finish options include Polished, Brushed Satin, and custom Antique (additional charge applies)



PHOTOMETRICS



Conforms to UL Standard 1838



3182781

1094 No. Main St. - P. O. Box 98 – Ashland City, TN 37015

www.pmlighting.com



Wall Washer/Well Lights



1094 N Main Street
Ashland City, TN 37015
615.792.6884
www.pmlighting.com



P.M. Lighting, LLC

Ph. 615.792.6884

Fax 615.792.6898

PM3 Series

Angle Cut In-Ground Well Light

Industrial Grade SDR Polyvinyl Housing withstands heat to 140 degrees..

Dimensions : 5-1/2" x 10 -9/16"

Wire Lead: 18/2 landscape cable (includes Quick Connectors)

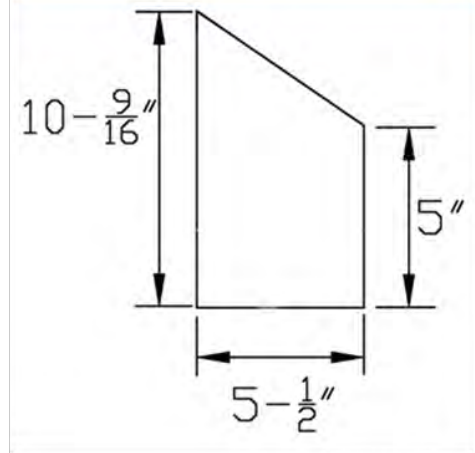
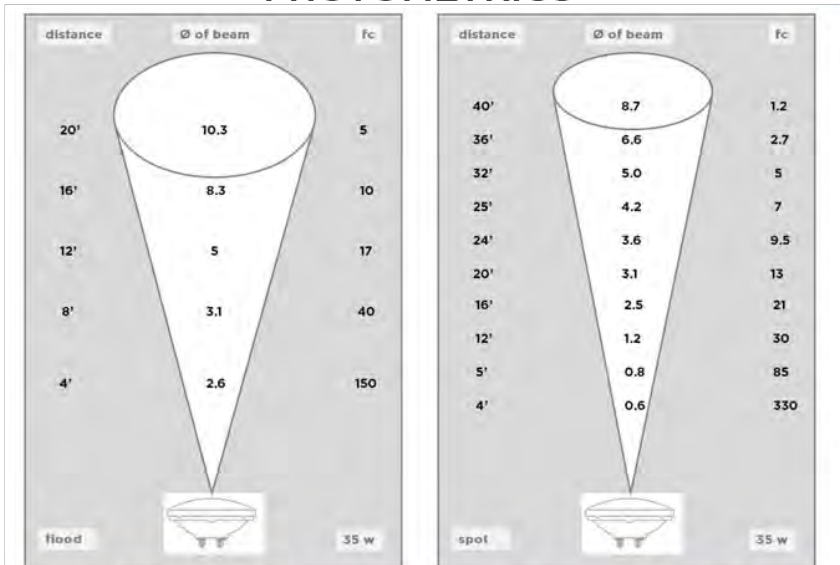
Lens: Optional Polycarbonate or Tempered Glass lens available (add "L" to the model #)

Lamp: Par36 Sealed Lamps, 35 watts halogen or 9 watt LED standard (50 watt maximum without lens, 36 watts max with lens)

Options: Standard 3A models have aluminum lampholders and black steel hardware. Optional 3C models have copper lampholders and stainless steel hardware (shown)



PHOTOMETRICS



Conforms to UL Standard 1838



3182781

1094 No. Main St. - P. O. Box 98 – Ashland City, TN 37015

www.pmlighting.com



P.M. Lighting, LLC

Ph. 615.792.6884

Fax 615.792.6898

PM3 Series

Flat Cut In-Ground Well Light

Industrial Grade SDR Polyvinyl Housing withstands heat to 140 degrees..

Dimensions : 5-1/2" x 8 -1/16"

Wire Lead: 18/2 landscape cable (includes Quick Connectors)

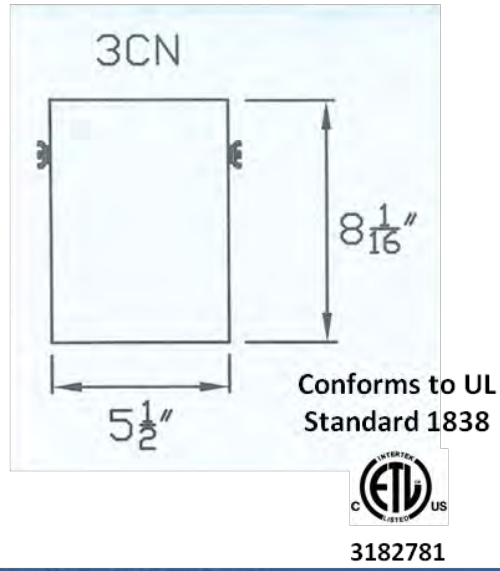
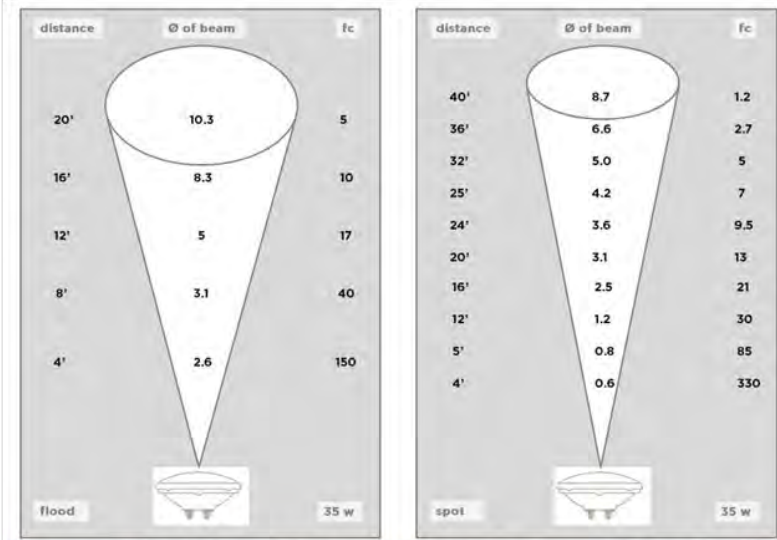
Lens: Optional Polycarbonate or Tempered Glass lens available (add "L" to the model #)
Trim rings also available in copper and aluminum options

Lamp: Par36 Sealed Lamps, 35 watt halogen or 9 watt LED standard (50 watt maximum without lens, 36 watts max with lens)

Options: Standard 3A models have aluminum lampholders and black steel hardware.
Optional 3C models have copper lampholders and stainless steel hardware



PHOTOMETRICS



1094 No. Main St. - P. O. Box 98 – Ashland City, TN 37015

www.pmlighting.com



P.M. Lighting, LLC

Ph. 615.792.6884

Fax 615.792.6898

MRH Series (Model MRG) Copper In-Ground Mini-Well Light

Solid Copper Mini-Well with copper inner sleeve for up-lighting ornamental trees

Dimensions : 2-1/8" x 10"

Wire Lead: 18/2 landscape cable (includes Quick Connectors)

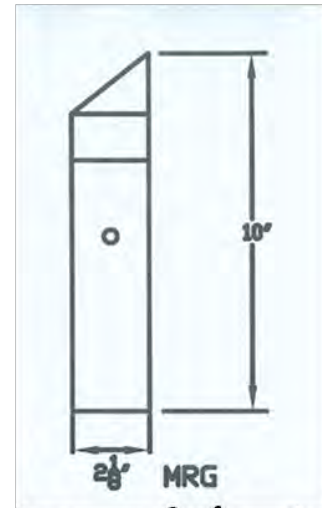
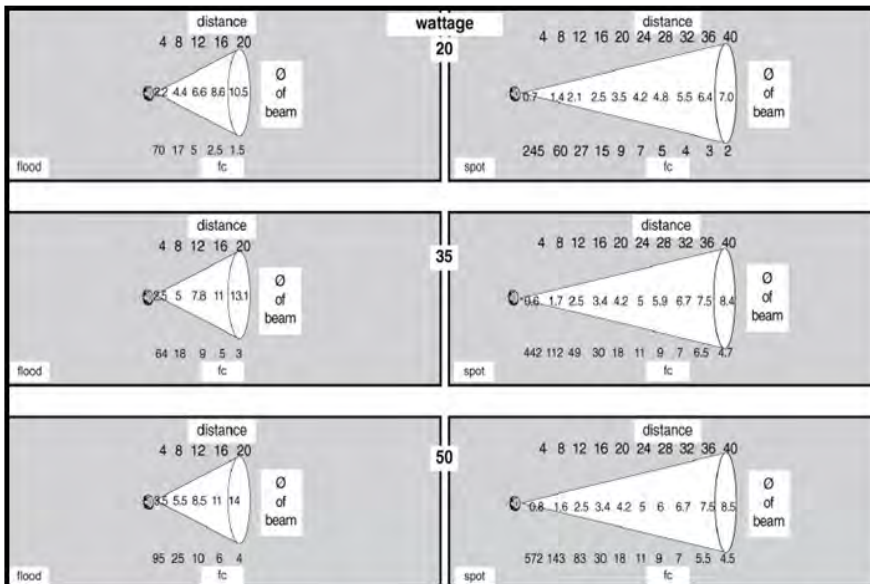
Lens: Clear or Prismatic Tempered Borosilicate Glass lens

Lamp: MR16 - 35 watt halogen or 5 watt LED standard (50 watt maximum)

Options: Choose standard Eyebrow version (shown) or Flat Cut version



PHOTOMETRICS



Conforms to UL Standard 1838



3182781

1094 No. Main St. - P. O. Box 98 – Ashland City, TN 37015

www.pmlighting.com



Hanging & Specialty Lights



1094 N Main Street
Ashland City, TN 37015
615.792.6884
www.pmlighting.com



P.M. Lighting, LLC

Ph. 615.792.6884

Fax 615.792.6898

PM7 Series (Model PM7LG) 7 1/2" Copper Hanging Gazebo Light

Solid Copper Top with white painted bottom for optimal reflectivity

Dimensions : 7 3/8" x 7 -3/4"

Wire Lead: 4 ft. of 18/2 landscape cable (includes Quick Connector Kit)

Lens: Frosted Tempered Borosilicate Glass

Lamp: G4 Bi-pin Lamp, 20 watt halogen or 2 watt LED standard (35 watt maximum)

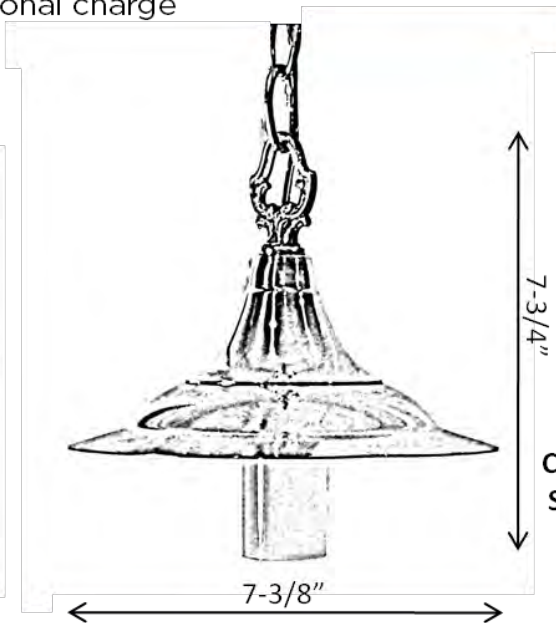
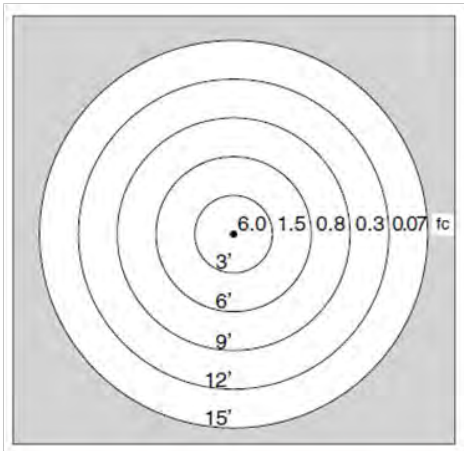
Lamp Base: G4 / G6.35 ceramic holder rated 250V, 1000 watt.

Mount: Includes 2 feet or solid brass chain and mounting hook for hanging

Finish options include Polished, Brushed Satin, and custom Antique (additional charge applies)



PHOTOMETRICS



Conforms to UL Standard 1838



3182781

1094 No. Main St. - P. O. Box 98 – Ashland City, TN 37015

www.pmlighting.com



P.M. Lighting, LLC

Ph. 615.792.6884

Fax 615.792.6898

PM2 Series (Model PM2)

Solid Copper Hanging Tree Light

Solid Copper Hanging Tree Light for down lighting and moon lighting from tree limbs

Dimensions : 2-3/16" x 4-5/16"

Wire Lead: 18/2 landscape cable with watertight grommet and flexible hanging rod (includes Quick Connectors)

Lens: Prismatic or clear tempered borosilicate glass

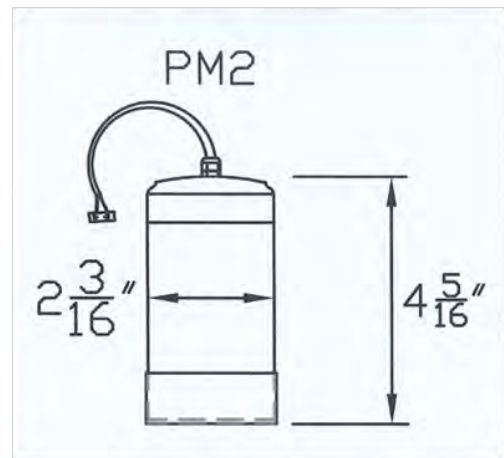
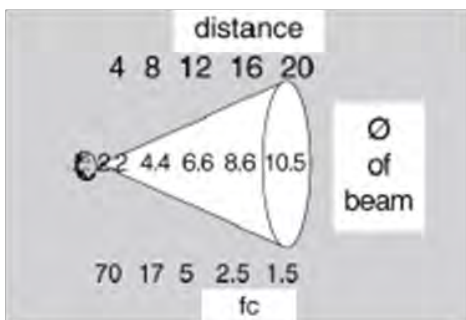
Lamp: MR16 lamp or optional G4 Bi-Pin lamp, 20 watt halogen or 3.8 watt LED standard (20 watt maximum)

Mount: Flexible hanging rod in wire harness

Finish options include Polished, Brushed Satin, and custom Antique (additional charge applies)



PHOTOMETRICS



Conforms to UL Standard 1838



3182781

1094 No. Main St. - P. O. Box 98 – Ashland City, TN 37015

www.pmlighting.com



Ph. 615.792.6884
Fax 615.792.6898

PM2 Series (Model PM2SM) Solid Copper Overhead Light

Solid Copper Surface Mounted Overhead Light for down lighting and moon lighting.

Dimensions : 2-3/16" x 5-3/8"

Wire Lead: 18/2 landscape cable with Quick Connectors

Lens: Prismatic or clear tempered borosilicate glass

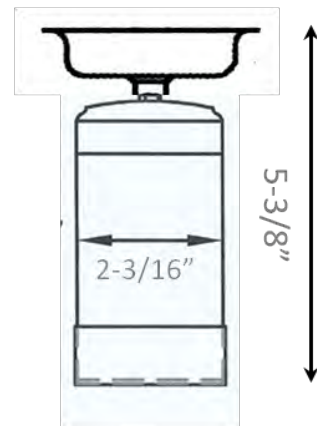
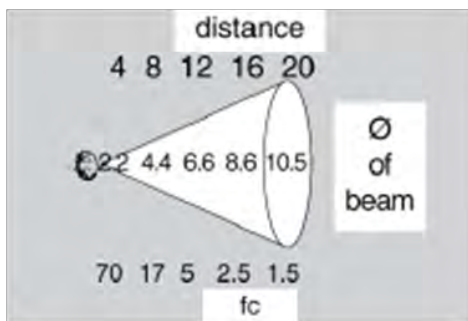
Lamp: MR16 lamp or optional G4 Bi-Pin lamp, 20 watt halogen or 4 watt LED standard (20 watt maximum)

Mount: Surface Mount with screws

Finish options include Polished, Brushed Satin, and custom Antique (additional charge applies)



PHOTOMETRICS



Conforms to UL Standard 1838



3182781

1094 No. Main St. - P. O. Box 98 – Ashland City, TN 37015

www.pmlighting.com



P.M. Lighting, LLC

Ph. 615.792.6884

Fax 615.792.6898

PM8 Series (PM8-SL)

Rock Wall Light

Solid Copper Housing with White Painted Interior for Optimal Reflectivity

Dimensions: 8" x 1-1/2" x 1-1/2"

Wire Lead: 18/2 landscape cable (15' standard)

Lens: Optional Polycarbonate (standard on LED fixture)

Lamp: G4 Bi-pin Lamp, 10 watt halogen or 2 watt LED standard (20 watt maximum)

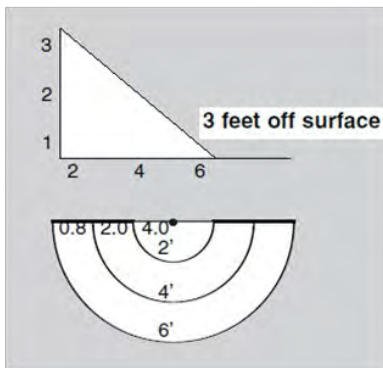
Lamp Base: G4 / G6.35 ceramic holder rated 250V, 1000 watt.

Mount: Includes copper mounting plate and mounting holes.

Finish options include Polished, Brushed Satin, and custom Antique (additional charge applies)



PHOTOMETRICS



Conforms to UL Standard 1838



3182781

1094 No. Main St. - P. O. Box 98 – Ashland City, TN 37015

www.pmlighting.com



P.M. Lighting, LLC

Ph. 615.792.6884

Fax 615.792.6898

PM8 Series (PM8-SL4)

Rock Wall Light - 4" Version

Solid Copper Housing with White Painted Interior for Optimal Reflectivity

Dimensions: 4" x 1-1/2" x 1-1/2"

Wire Lead: 18/2 landscape cable (15' standard)

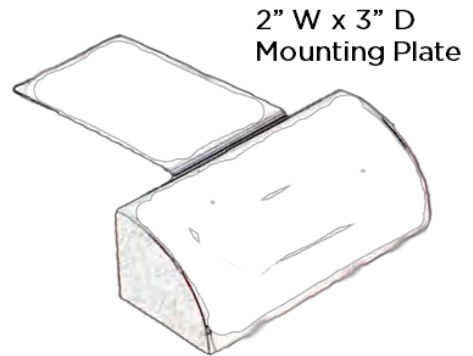
Lens: Optional Polycarbonate (standard on LED fixture)

Lamp: G4 Bi-pin Lamp, 10 watt halogen or 2 watt LED standard (20 watt maximum)

Lamp Base: G4 / G6.35 ceramic holder rated 250V, 1000 watt.

Mount: Includes copper mounting plate and mounting holes.

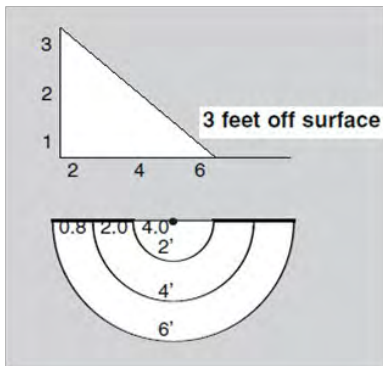
Finish options include Polished, Brushed Satin, and custom Antique (additional charge applies)



2" W x 3" D
Mounting Plate

4" L x 1-1/2" W x 1-1/2" D

PHOTOMETRICS



**Conforms to UL
Standard 1838**



3182781

1094 No. Main St. - P. O. Box 98 - Ashland City, TN 37015

www.pmlighting.com



Deck & Patio Lights



1094 N Main Street
Ashland City, TN 37015
615.792.6884
www.pmlighting.com



Ph. 615.792.6884

Fax 615.792.6898

PM8 Series (Model PM8)

Copper Deck Light

Solid Copper Housing with white painted interior for optimal reflectivity

Dimensions : 4-5/8" x 2-1/4" x 2-3/8"

Wire Lead: 18/2 landscape cable. (5 foot standard, includes quick connectors)

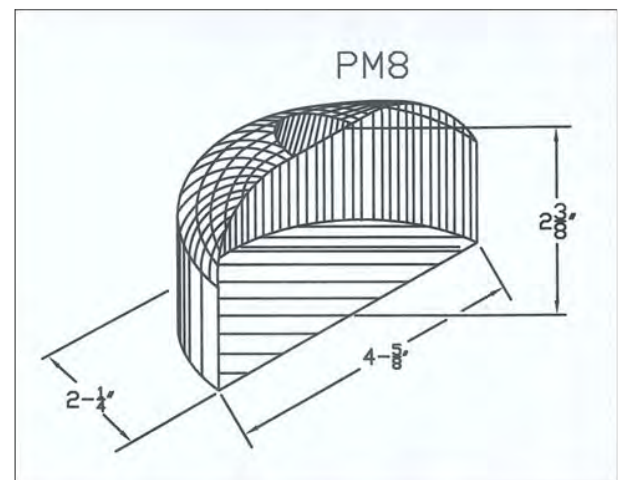
Lens: Optional Polycarbonate (standard for LED fixture)

Lamp: G4 Bi-pin Lamp, 10 watt halogen or 2 watt LED standard (20 watt maximum)

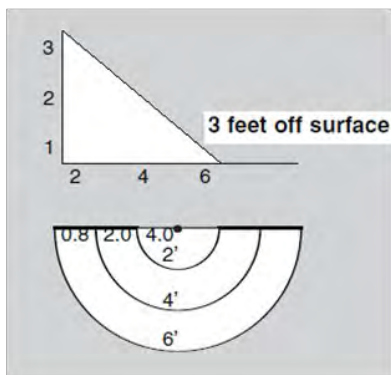
Lamp Base: G4 / G6.35 ceramic holder rated 250V, 1000 watt

Mount: Includes mounting holes and stainless steel screws

Finish options include Polished, Brushed Satin, and custom Antique (additional charge applies)



PHOTOMETRICS



Conforms to UL
Standard 1838



3182781

1094 No. Main St. - P. O. Box 98 – Ashland City, TN 37015

www.pmlighting.com



P.M. Lighting, LLC

Ph. 615.792.6884

Fax 615.792.6898

PM8 Series (Model PM8-SM)

Copper Surface Mounted Deck Light

Solid Copper Housing with white painted interior for optimal reflectivity

Dimensions : 4-5/8" x 2-1/4" x 2-3/8"

Wire Lead: 18/2 landscape cable. (5 foot standard, includes quick connectors)

Lens: Optional Polycarbonate (standard on LED fixture)

Lamp: G4 Bi-pin Lamp, 10 watt halogen or 2 watt LED standard (20 watt maximum)

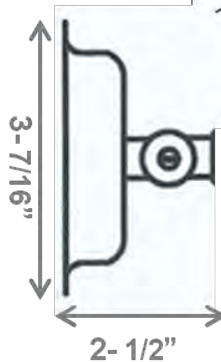
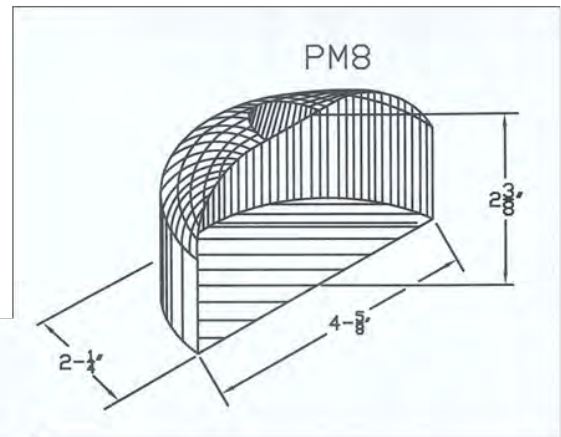
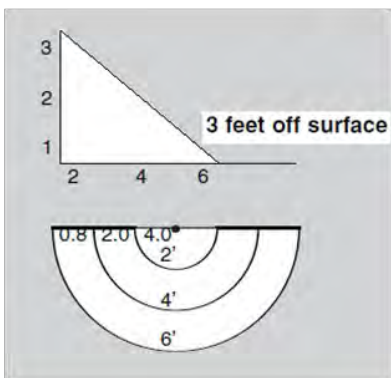
Lamp Base: G4 / G6.35 ceramic holder rated 250V, 1000 watt

Mount: Includes mounting holes and stainless steel screws

Finish options include Polished, Brushed Satin, and custom Antique (additional charge applies)



PHOTOMETRICS



Conforms to UL Standard 1838



3182781

1094 No. Main St. - P. O. Box 98 – Ashland City, TN 37015

www.pmlighting.com



Ph. 615.792.6884
Fax 615.792.6898

PM7 Series (Model PM7PDM)

6" Copper Path Light

Solid Copper Top with white painted bottom for optimal reflectivity. Deluxe surface mount makes this an ideal fixture for deck rails and tables

Dimensions : 6" x 4 -1/2"

Wire Lead: 18/2 landscape cable
(includes Quick Connectors)

Lens: Tempered Borosilicate Glass

Lamp: G4 Bi-pin Lamp, 20 watt halogen or
2 watt LED standard (35 watt maximum)

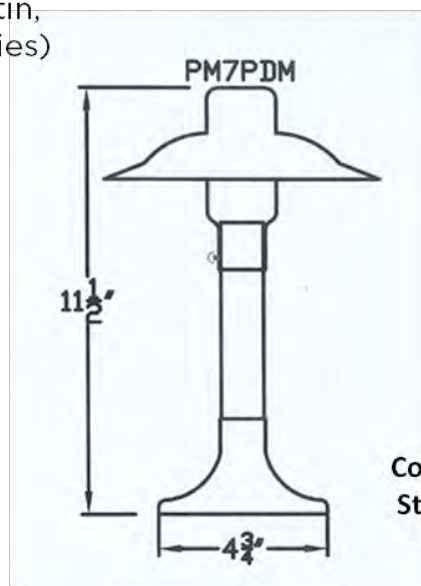
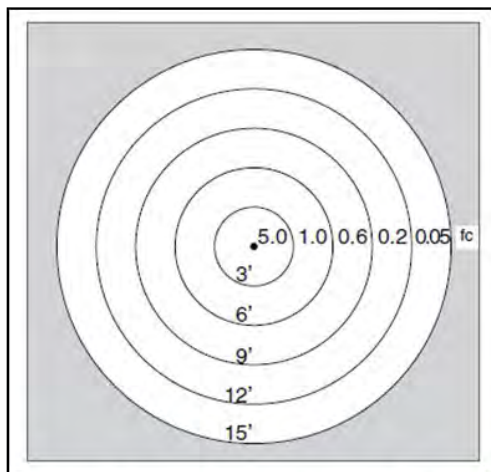
Lamp Base: G4 / G6.35 ceramic holder rated
250V, 1000 watt.

Mount: Deluxe Power Surface Mount in standard
lengths from 9" to 20"

Finish options include Polished, Brushed Satin,
and custom Antique (additional charge applies)



PHOTOMETRICS



Conforms to UL
Standard 1838



3182781

1094 No. Main St. - P. O. Box 98 – Ashland City, TN 37015

www.pmlighting.com



P.M. Lighting, LLC

Ph. 615.792.6884

Fax 615.792.6898

PM4 Series (Model PM4)

Solid Copper Hanging Tree Light

Solid Copper Up/Down Directional Light for decks, walls, and other bi-directional illumination

Dimensions : 2" x 4"

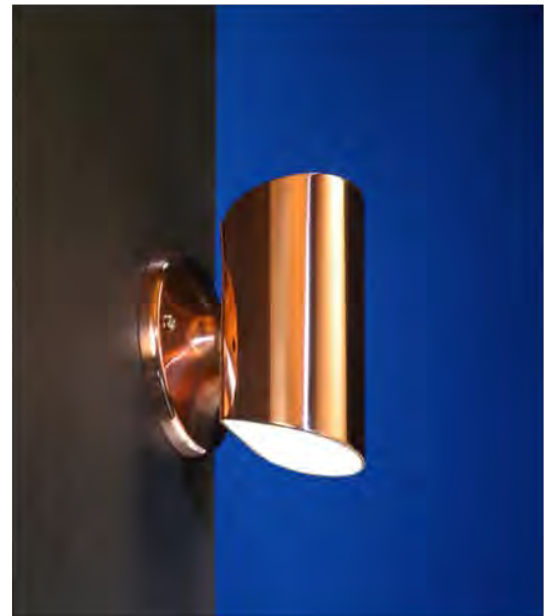
Wire Lead: 18/2 landscape cable, 5 foot standard (includes Quick Connectors)

Lamp: G4 Halogen Bi-pin Lamp (20 watt maximum)

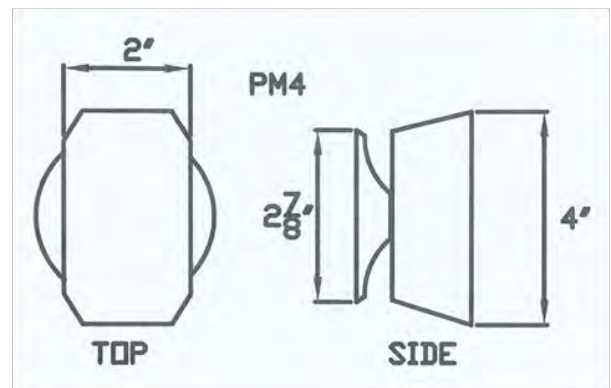
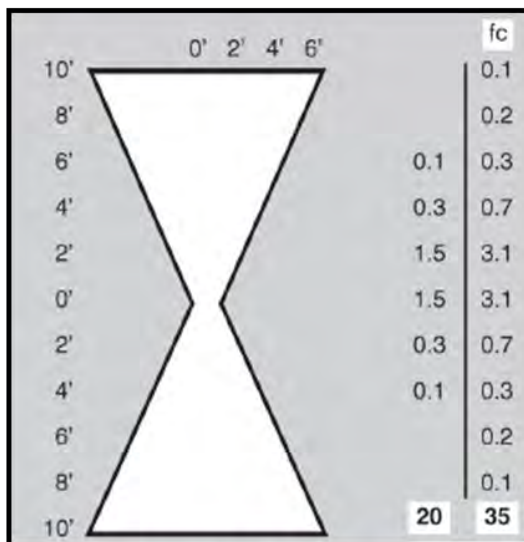
Lamp Base: G4 / G6.35 ceramic holder rated 250V, 1000 watt.

Mount: Includes standard surface mount and mounting screws

Finish options include Polished, Brushed Satin, and custom Antique (additional charge applies)



PHOTOMETRICS



Conforms to UL Standard 1838



3182781

1094 No. Main St. - P. O. Box 98 – Ashland City, TN 37015

www.pmlighting.com



P.M. Lighting, LLC

Ph. 615.792.6884

Fax 615.792.6898

PM4 Series (Model PM4-SM)

Solid Copper Down Light

Solid Copper Down Light for decks, walls, and other wall or deck illumination. Top is capped with copper. Open bottom

Dimensions : 2" x 4"

Wire Lead: 18/2 landscape cable, 5 foot standard (includes Quick Connectors)

Lamp: G4 -10 watt halogen Bi-pin Lamp (20 watt maximum) or 1.5 watt LED standard

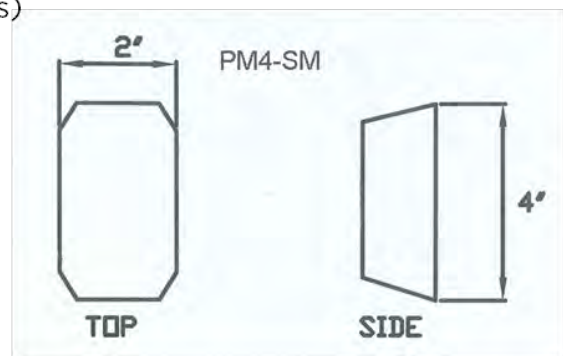
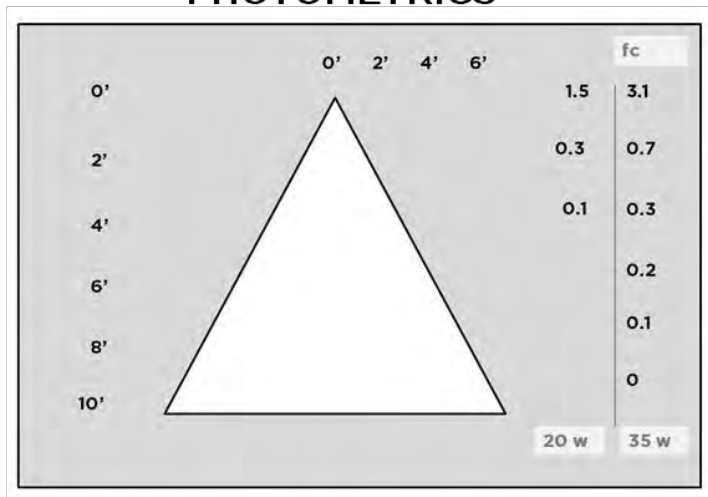
Lamp Base: G4 / G6.35 ceramic holder rated 250V, 1000 watt.

Mount: Flush surface mount includes mounting screws

Finish options include Polished, Brushed Satin, and custom Antique (additional charge applies)



PHOTOMETRICS



Conforms to UL Standard 1838



3182781

1094 No. Main St. - P. O. Box 98 – Ashland City, TN 37015

www.pmlighting.com



Ph. 615.792.6884
Fax 615.792.6898

PM8 Series (PM8-STEP)

Step & Deck Light

Solid Copper Housing with White Painted Interior for Optimal Reflectivity

Dimensions: 8" x 1" x 1"

Wire Lead: 18/2 landscape cable (5' standard)

Lens: None

Lamp: G4 Bi-pin Lamp, 10 watt halogen (10 watt max)

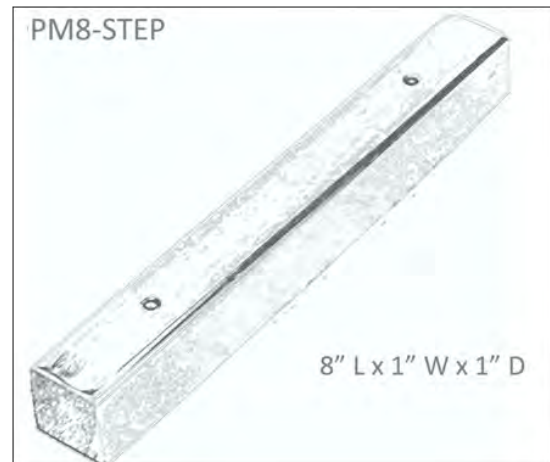
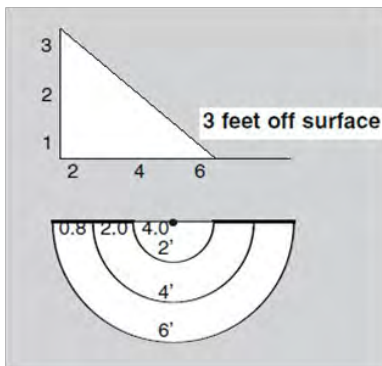
Lamp Base: G4 / G6.35 ceramic holder rated 250V, 1000 watt.

Mount: Includes top mounting holes and mounting screws.

Finish options include Polished, Brushed Satin, and custom Antique (additional charge applies)



PHOTOMETRICS



Conforms to UL
Standard 1838



3182781

1094 No. Main St. - P. O. Box 98 – Ashland City, TN 37015

www.pmlighting.com



Ph. 615.792.6884

Fax 615.792.6898

PM10 Series (Model PM10)

Step Light

Solid Copper Faceplate with Mirror Interior for Optimal Reflectivity

Dimensions: 9-1/2" x 3-1/2". Reflector box dimensions; 7" W x 2-5/8" H x 1-3/4" D requires recess slightly larger than reflector box.

Wire Lead: 18/2 landscape cable (5' standard) Electrical knockout for standard connector clamp included

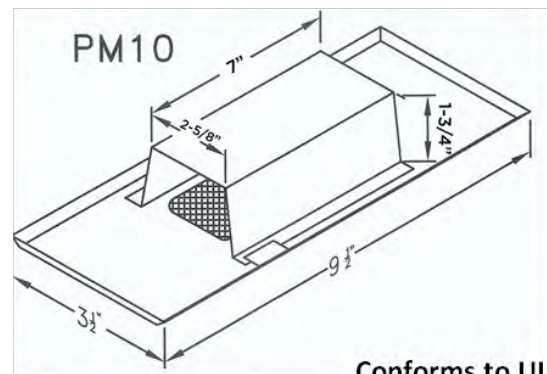
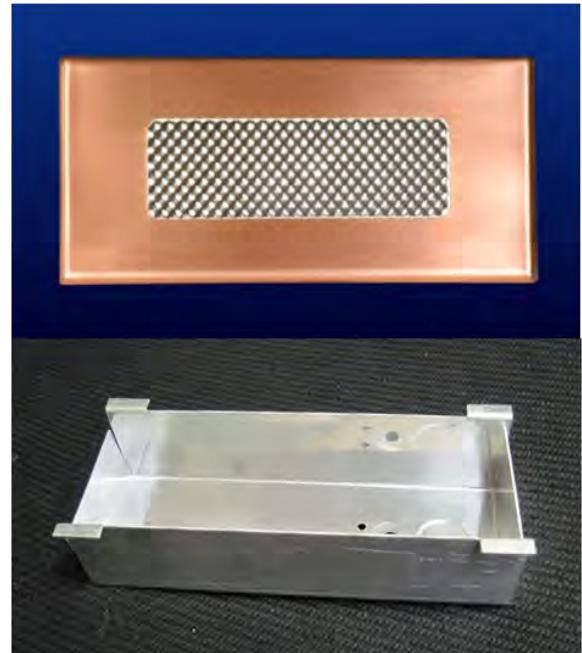
Lens: Dual Polycarbonate Lens w/ Prismatic Diffuser

Lamp: G4 Halogen Bi-pin Lamp Standard (10 watt maximum), or 2 watt LED optional

Lamp Base: G4 / G6.35 ceramic holder rated 250V, 1000 watt.

Mount: Includes polished aluminum light box for friction fit or optional brass mounting screws (specify when ordering)

Finish options include Polished, Brushed Satin, and custom Antique (additional charge applies)



Conforms to UL
Standard 1838



3182781

1094 No. Main St. - P. O. Box 98 – Ashland City, TN 37015

www.pmlighting.com



P.M. Lighting, LLC

Ph. 615.792.6884

Fax 615.792.6898

PM7 Series (Model PM7XLC-MP)

11" Copper Grill and Deck Light

Solid Copper Top with white painted bottom for optimal reflectivity

Dimensions : 11" x 7"

Wire Lead: 18/2 landscape cable (includes Quick Connectors and on/off switch)

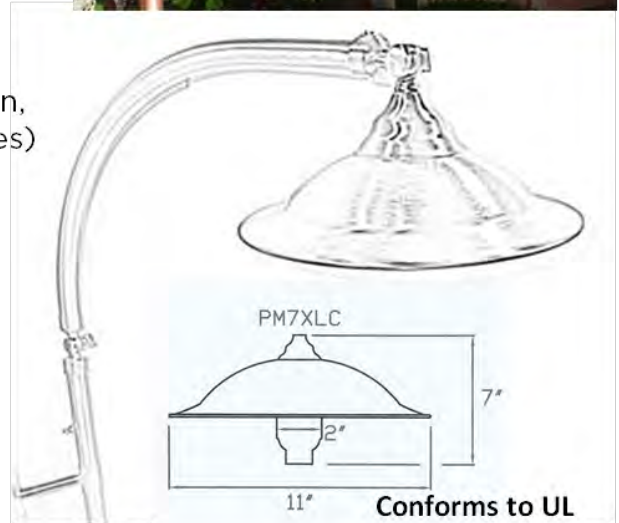
Lens: Frosted Tempered Borosilicate Glass

Lamp: G4 Bi-pin Lamp, 20 watt halogen or 2 watt LED standard (50 watt maximum)

Lamp Base: G4 / G6.35 ceramic holder rated 250V, 1000 watt.

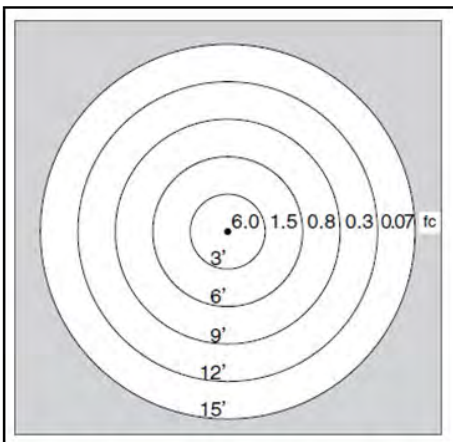
Mount: Includes 48" copper post with adjustable curved arm for up to 72" total height. Mounting brackets included to secure to any vertical surface such as deck posts

Finish options include Polished, Brushed Satin, and custom Antique (additional charge applies)



Conforms to UL Standard 1838

PHOTOMETRICS



3182781

1094 No. Main St. - P. O. Box 98 – Ashland City, TN 37015

www.pmlighting.com



LED Options For Every Application

- Well Lights
- MRH Bullets
- Tree Lights
- Path Lights
- Directional Lights
- Deck & Step Lights



1094 N Main Street
Ashland City, TN 37015
615.792.6884
www.pmlighting.com

PAR36 SERIES

(6W; Replaces 20-Watt Halogen)
 (9W; Replaces 35-Watt Halogen)
 (12W; Replaces 50-Watt Halogen)

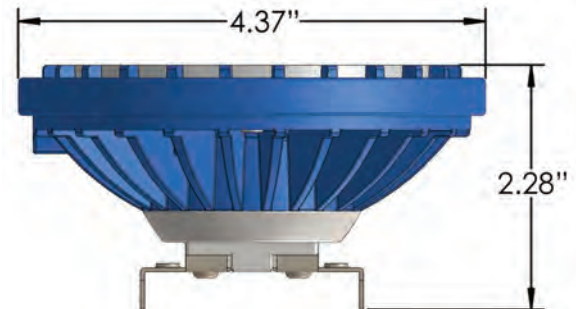


Description:

The Brilliance LED PAR36 LED lamp has been redesigned to better fit into standard, low voltage, PAR36 fixtures and is **thermally engineered to operate in enclosed fixtures.**

Specifications/Features:

- UL Listed & FCC Compliant
- Available in 2200, 2700, 3000, & 5700 Kelvin Temperatures, as well as Red, Green, Blue, & Amber
- Available In 15°, 30°, & 60° Beam Angles
- Available In 6 Watts, 9 Watts, & 12 Watts
- 8-25VAC
- Maximum Current - 6W: 1.0A; 9W: 1.5A; 12W: 2.0A
- CRI: 85
- CREE Chipset
- 50,000 hours lamp life
- Fully potted PC board
- Dimmable with most magnetic transformers
- 5-Year Warranty
- Patent Pending



Lumens Output		
	2700K	5700K
6W	380lm	460lm
9W	550lm	720lm
12W	620lm	920lm

PART NUMBER: BR-PAR36- 6/9/12 XX

6
9
12 WATTAGE

2200
2700
3000
5700 KELVIN TEMPERATURE

RED = Red
GREEN = Green
BLUE = Blue
AMBER = Amber COLOR

BEAMSPREAD: 15 = 15 degree
30 = 30 degree
60 = 60 degree

© 2014 Brilliance LED, LLC. All Rights Reserved. Distributed by P.M. Lighting, LLC
 Actual product may vary slightly from description. All products, product specifications and data are subject to change without notice in order to improve reliability, function, design or otherwise.

MR-16 SERIES

(4W; Replaces 20-Watt Halogen)
 (5W; Replaces 35-Watt Halogen)
 (7W; Replaces 50-Watt Halogen)

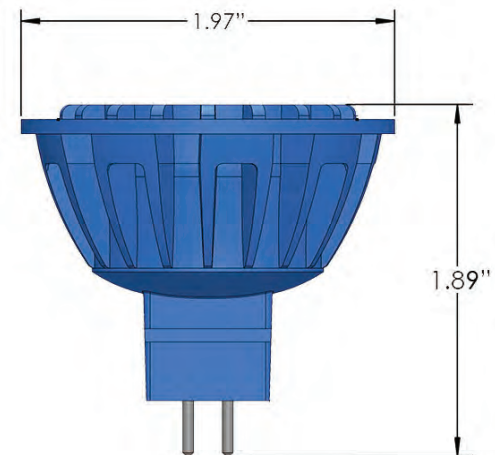


Description:

The Brilliance LED MR-16 LED lamp has been redesigned to better fit into standard, low voltage, fixtures and is **thermally engineered to operate in enclosed fixtures.**

Specifications/Features:

- UL Listed & FCC Compliant
- Available in 2200, 2700, 3000, & 5700 Kelvin Temperatures, as well as Red, Green, Blue, & Amber (Colors available in 4-Watt & 5-Watt only)
- Available in 15°, 30°, & 60° Beam Angles
- Available in 4 Watts, 5 Watts, & 7 Watts
- 8-25VAC
- Maximum Current - 4W: 0.6A; 5W: 0.8A; 7W: 1.2A
- CRI: 85
- CREE Chipset
- 50,000 Hours Lamp Life
- Fully Potted PC Board
- Dimmable with most magnetic transformers
- 5-Year Warranty
- Patent Pending



Lumens Output		
	2700K	5700K
4W	230lm	320lm
5W	320lm	420lm
7W	420lm	560lm

PM PART NUMBER: BR-MR /20/35/50 (WW/30)	
4 5 7	WATTAGE
2200 2700 3000 5700	KELVIN TEMPERATURE
RED = Red GREEN = Green BLUE = Blue AMBER = Amber	COLOR
15 = 15 degree 30 = 30 degree 60 = 60 degree	BEAMSPREAD

© 2014 Brilliance LED, LLC. All Rights Reserved. Distributed by P.M. Lighting, LLC
 Actual product may vary slightly from description. All products, product specifications and data are subject to change without notice in order to improve reliability, function, design or otherwise.

MICRO G4 (1.2W; Replaces 15~20-Watt Halogen)



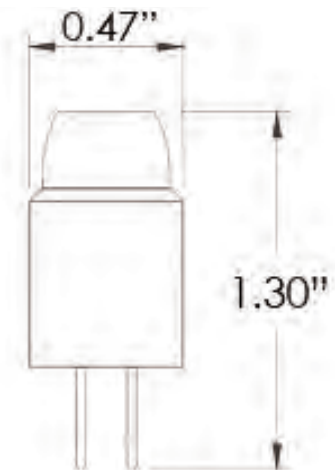
Description:

BIG THINGS DO COME IN SMALL PACKAGES with the Brilliance LED Micro G4. This sub-compact LED bipin utilizes Samsung's chipset and also features Brilliance LED's multi-directional beam pattern. This bipin is energy efficient and water resistant. Designed specifically for landscape lighting retrofit, thus making it ideal for pathway lighting fixtures.



Specifications/Features:

- 1.2 Watts
- 12 Volts AC/DC
- 100 Lumens
- Kelvin Temperature: 2700
- CRI: 85
- Samsung Chipset
- 35,000 Hours Lamp Life
- Water Resistant
- 3-Year Warranty
- New Ceramic Technology
- Dimmable with most magnetic transformers



© 2014 Brilliance LED, LLC. All Rights Reserved. Distributed by P.M. Lighting, LLC
Actual product may vary slightly from description. All products, product specifications and data are subject to change without notice in order to improve reliability, function, design or otherwise.

G4 BIPIN

(Short: 1.3 ~ 1.5W; Replaces 15-Watt Halogen)
 (Long: 2W; Replaces 20-Watt Halogen)



Description:

The Brilliance G4 Bipin LED lamp is specifically designed for landscape lighting retrofit. This compact LED utilizes CREE's XT-E chipset and features Brilliance LED's multi-directional beam pattern, making it ideal for pathway lighting fixtures. This bipin is energy efficient and water resistant.

Specifications/Features:

- UL-Listed & FCC Compliant
- Engineered for landscape lighting fixtures
- 8-25 Volts AC/DC (12 Volts Optimal)
- Dimmable with most magnetic transformers
- 100 Lumens (Short); 130 Lumens (Long)
- Short: 1.3~1.5 Watts; Long: **2 Watts**
- Available in 2200, **2700**, 3000, & 5700 Kelvin Temperatures
- CRI:85
- CREE XT-E Chipset
- 35,000 hours lamp life
- Conformal coated PC board
- Water resistant
- 5-year warranty
- Patent Pending



Short



Long



PM PART NUMBER:		BR-G4 -15/20	
	LONG	LENGTH	2200
	SHORT		2700
		KELVIN TEMPERATURE	3000
			5700

© 2014 Brilliance LED, LLC. All Rights Reserved. - Distributed by P.M. Lighting, LLC
 Actual product may vary slightly from description. All products, product specifications and data are subject to change without notice in order to improve reliability, function, design or otherwise.



P.M. Lighting, LLC

1094 N Main Street
Ashland City, TN 37015
615.792.6884
www.pmlighting.com



MADE IN THE USA