



SPECIFICATION SHEET

Type: _____

Model: _____

Project: _____

MR16 7.4 W LED Lamps

SPECIFICATIONS

BASE: GU5.3 bi-pin base

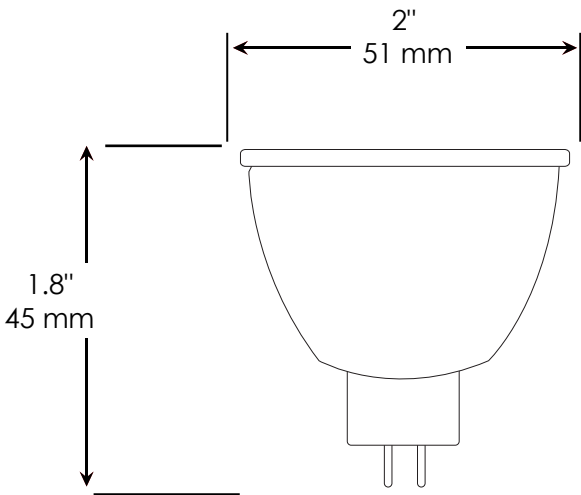
VOLTAGE: 12V

WATTAGE: 7.4 W

CRI: 80+ or 90+

AGENCY LISTINGS: UL-approved (E353116) for enclosed fixtures and damp locations

WARRANTY: Five years



The 12-volt MR16 7.4-watt LED lamp is fully dimmable and utilizes Lumiled chip technology. Warrantied for 5 years, it will last in most applications for more than 50,000 hours. Approved for enclosed fixtures and damp locations.

CI H8CCR' RAT98

MODEL	BEAM SPREAD	COLOR TEMP.	CBCP	LUMENS	EFFICACY	CRI
487011 LED-MR16-8L90-27K-25°	25°	2700 K (ultrawarm)	2557	471	64 lm/W	90+
487012 LED-MR16-8L90-3K-25°	25°	3000 K (warm)	2691	483	65 lm/W	90+
487014 LED-MR16-8L80-4K-25°	25°	4000 K (neutral)	2525	563	76 lm/W	80+
487013 LED-MR16-8L80-5K-25°	25°	5000 K (cool)	2725	610	82 lm/W	80+
487015 LED-MR16-8L90-27K-40°	40°	2700 K (ultrawarm)	1218	467	63 lm/W	90+
487016 LED-MR16-8L90-3K-40°	40°	3000 K (warm)	1203	487	65 lm/W	90+
487018 LED-MR16-8L80-4K-40°	40°	4000 K (neutral)	1441	607	82 lm/W	80+
487017 LED-MR16-8L80-5K-40°	40°	5000 K (cool)	1480	620	84 lm/W	80+
487019 LED-MR16-8L90-27K-60°	60°	2700 K (ultrawarm)	1441	471	64 lm/W	90+
487020 LED-MR16-8L90-3K-60°	60°	3000 K (warm)	1525	483	65 lm/W	90+