



SPECIFICATION SHEET

Type: _____

Model: _____

Project: _____

MR16 5 W LED Lamps

SPECIFICATIONS

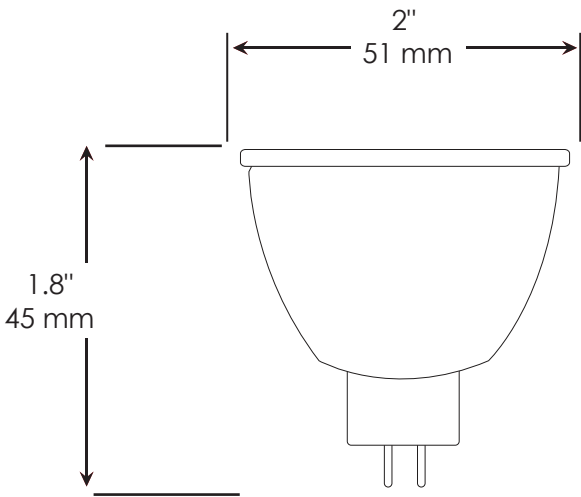
BASE: GU5.3 bi-pin base

VOLTAGE: 12 V

WATTAGE: 5 W

CRI: 85+

WARRANTY: Five years



The 12-volt MR16 5-watt LED lamp is fully dimmable and utilizes Cree chip technology. Warrantied for 5 years, it will last in most applications for more than 50,000 hours. UL approved for enclosed fixtures and damp locations.

CI H8CCR'RAT98

MODEL	BEAM SPREAD	COLOR TEMPERATURE	CBCP	LUMENS	EFFICACY	CRI
486785 LED-MR16-5XBD-27K-15°	15°	2700 K (ultrawarm)	1690	300	60 lm/W	85+
486828 LED-MR16-5XBD-WW-15°	15°	3000 K (warm)	1694	320	62 lm/W	85+
486786 LED-MR16-5XBD-27K-25°	25°	2700 K (ultrawarm)	1084	300	60 lm/W	85+
486831 LED-MR16-5XBD-WW-25°	25°	3000 K (warm)	1098	320	62 lm/W	85+
486787 LED-MR16-5XBD-27K-40°	40°	2700 K (ultrawarm)	820	300	60 lm/W	85+
486818 LED-MR16-5XBD-WW-40°	40°	3000 K (warm)	818	320	62 lm/W	85+
486788 LED-MR16-5XBD-27K-60°	60°	2700 K (ultrawarm)	410	300	60 lm/W	85+
486825 LED-MR16-5XBD-WW-60°	60°	3000 K (warm)	420	320	62 lm/W	85+
486789 LED-MR16-5XBD-27K-100°	100°	2700 K (ultrawarm)	205	300	60 lm/W	85+
486834 LED-MR16-5XBD-WW-100°	100°	3000 K (warm)	205	320	62 lm/W	85+