



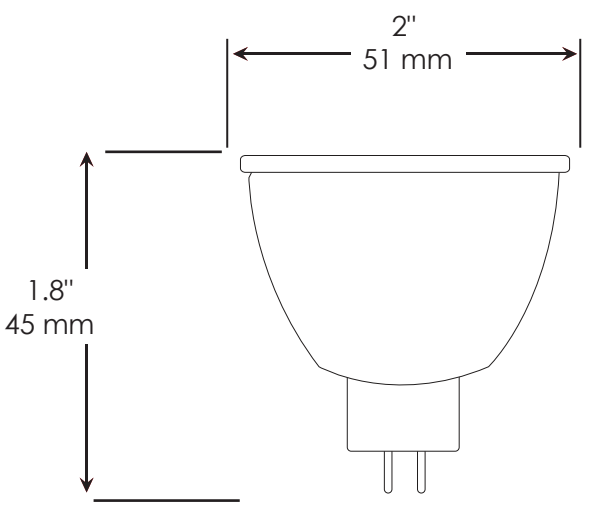
SPECIFICATION SHEET

Type: _____
 Model: _____
 Project: _____

MR16 4 W LED Lamps

SPECIFICATIONS

- BASE:** GU5.3 bi-pin base
- VOLTAGE:** 12 V
- WATTAGE:** 4 W
- CRI:** 85+
- WARRANTY:** Five years



The 12-volt MR16 4-watt LED lamp is fully dimmable and utilizes Cree chip technology. Warrantied for 5 years, it will last in most applications for more than 50,000 hours. UL approved for enclosed fixtures and damp locations.

CI H8CCR'RAT98

MODEL	BEAM SPREAD	COLOR TEMPERATURE	CBCP	LUMENS	EFFICACY	CRI
486781 LED-MR16-4XBD-27K-25°	25°	2700 K (ultrawarm)	867	240	60 lm/W	85+
487057 LED-MR16-4XBD-WW-25°	25°	3000 K (warm)	878	250	62 lm/W	85+
486782 LED-MR16-4XBD-27K-40°	40°	2700 K (ultrawarm)	656	240	60 lm/W	85+
487060 LED-MR16-4XBD-WW-40°	40°	3000 K (warm)	654	250	62 lm/W	85+
486783 LED-MR16-4XBD-27K-60°	60°	2700 K (ultrawarm)	330	240	60 lm/W	85+
487063 LED-MR16-4XBD-WW-60°	60°	3000 K (warm)	340	250	62 lm/W	85+
486784 LED-MR16-4XBD-27K-100°	100°	2700 K (ultrawarm)	340	240	60 lm/W	85+
487066 LED-MR16-4XBD-WW-100°	100°	3000 K (warm)	340	250	62 lm/W	85+