



PM8 Series (Model PM8-STM)

Copper Path & Area Light

Solid Copper Housing with white painted interior for optimal reflectivity

Dimensions : 4-5/8" x 2-1/4" x 2-3/8"

Wire Lead: 18/2 landscape cable with male terminal connectors.

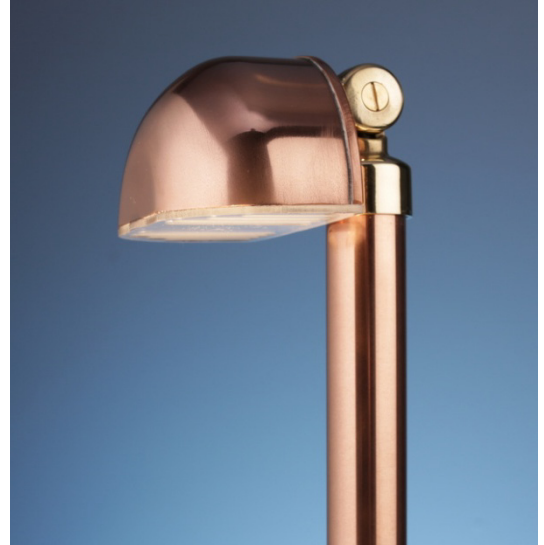
Lens: Optional Polycarbonate (standard for LED fixture)

Lamp: G4 Bi-pin Lamp, 2 watt LED standard. Optional 3, 4, or 5 watt LED or chose halogen lamp (20 watt maximum)

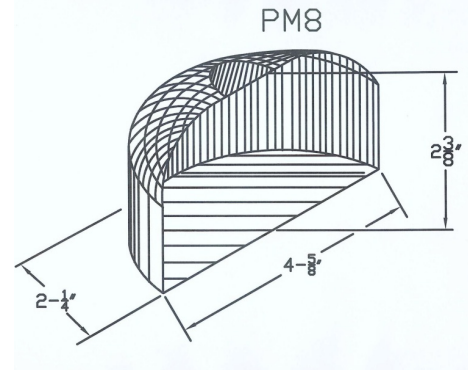
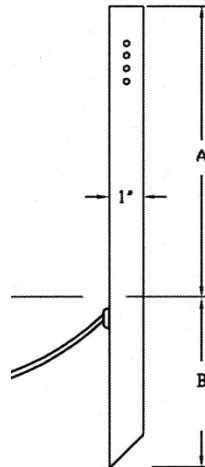
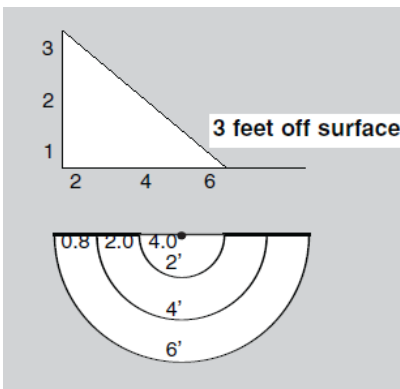
Lamp Base: G4 / G6.35 ceramic holder rated 250V, 1000 watt

Mount: Adjustable brass knuckle for standard ground stake or surface mounting. Specify mounting option as required when ordering.

Finish options include Polished, Brushed Satin, and custom Antique (additional charge applies)



PHOTOMETRICS



Conforms to UL Standard 1838



3182781