



PM7 Series (Model PM7XLC)

11" Copper Path Light

Solid Copper Top with white painted bottom for optimal reflectivity

Dimensions : 11" x 7" top

Wire Lead: 18/2 landscape cable (includes Quick Connectors)

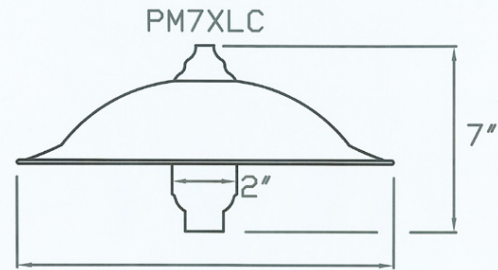
Lens: Tempered Borosilicate Glass

Lamp: G4 Bi-pin Lamp, 4 watt LED standard. Optional 2, 3, or 5 watt LED or chose halogen lamp (50 watt maximum))

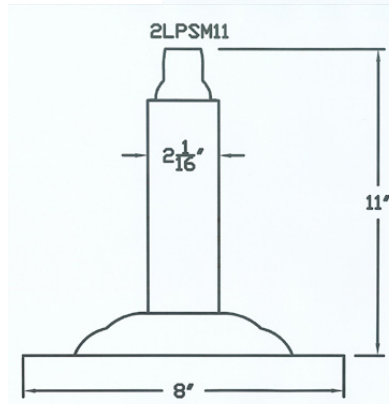
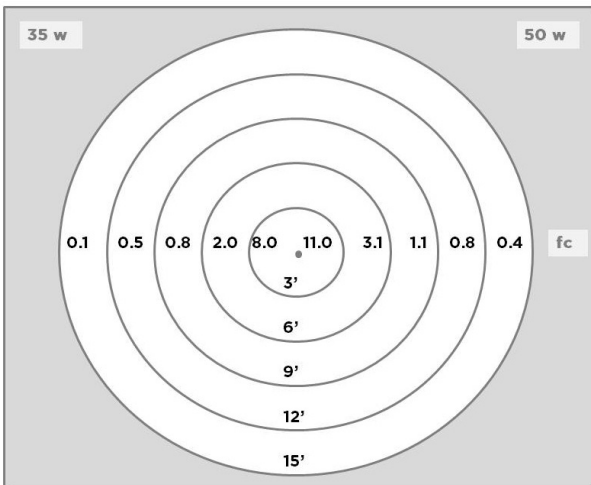
Lamp Base: G4 / G6.35 ceramic holder rated 250V, 1000 watt.

Mount: 2LPSM11 BASE - 11" tall, 2-1/8" diameter power mounting base with stainless steel screws.

Finish options include Polished, Brushed Satin, and custom Antique (additional charge applies)



PHOTOMETRICS



Conforms to UL Standard 1838



3182781