



PM1 Series (Model 1T) Solid Copper Directional Tree Light

Solid Copper Directional Light for lighting trees, walls, and other wash illumination

Dimensions : 3-3/16" x 4-1/4"

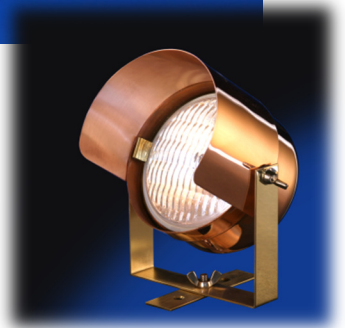
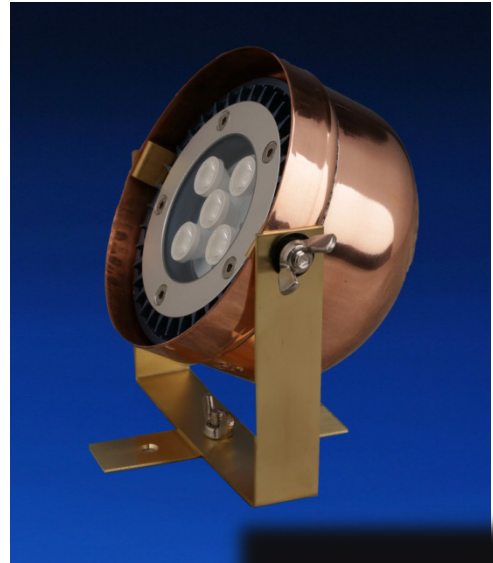
Wire Lead: 18/2 landscape cable (includes Quick Connectors)

Lens: None

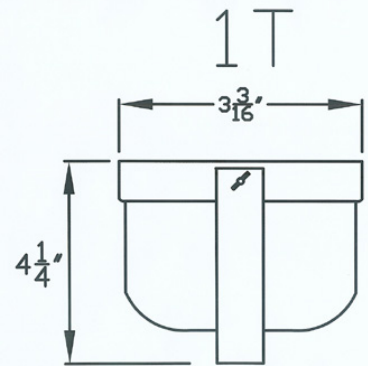
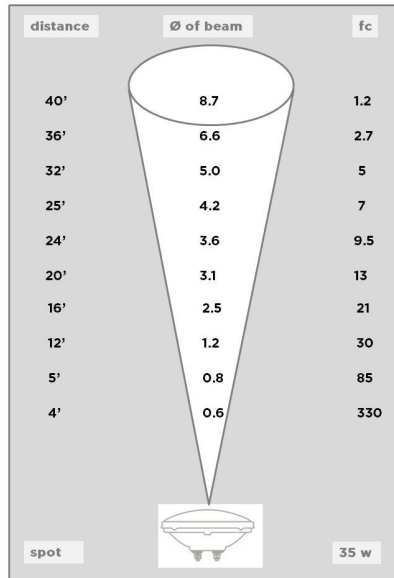
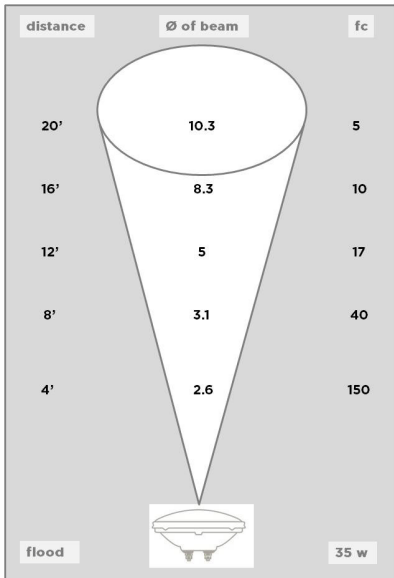
Lamp: Par36 Sealed Lamps, 9 watt LED standard. Optional 6 watt or 12 watt LED or choose halogen lamp (50 watt maximum))

Mount: Standard brass mounting bracket with stainless steel screws

Options: Shields S1H (half- shown), S1HL (half/long), S1F (full), and S1FL (full/long)



PHOTOMETRICS



Conforms to UL Standard 1838



3182781