

MRH Series (Model MRH)

Solid Copper Directional Spot/Flood Light

Solid Copper Bullet Design spot and flood light with solid brass adjustable knuckle. Mounts on ground stake or surface mount.

Dimensions : 2-1/8" x 6-15/16"

Wire Lead: 18/2 landscape cable (includes Quick Connectors)

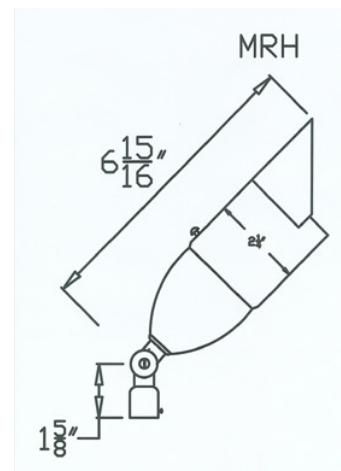
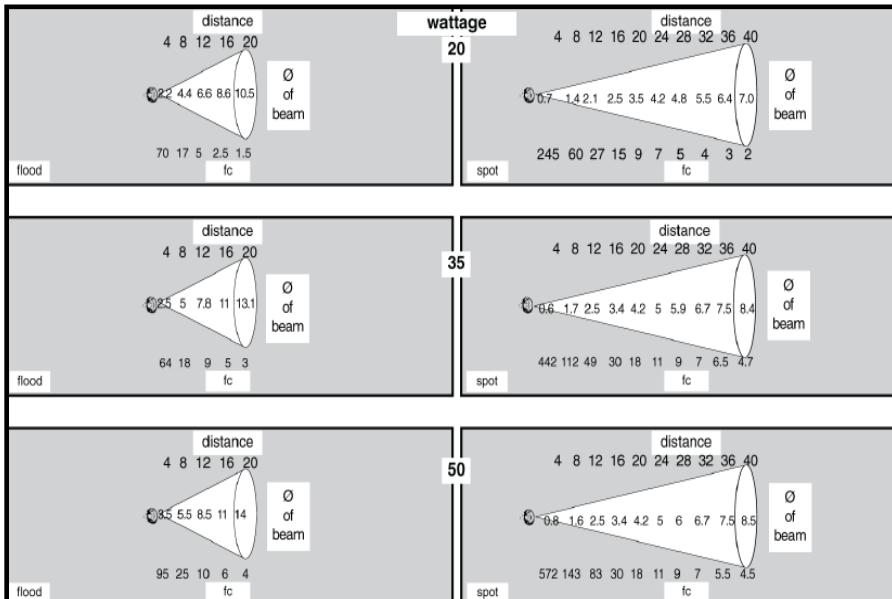
Lens: Clear or Prismatic Tempered Borosilicate Glass lens

Lamp: MR16 style 5 watt LED Lamp standard. Optional 4 or 7 watt LED or choose halogen lamp (50 watt maximum)

Options: Choose standard Eyebrow version (shown) or Flat Cut version



PHOTOMETRICS



Conforms to UL Standard 1838



3182781