



Professional Series CS937-LED Directional Lights

INSTALLATION INSTRUCTIONS

INSTRUCTIONS PERTAINING TO A RISK OF FIRE, OR INJURY
TO PERSONS IMPORTANT SAFETY INSTRUCTIONS

For use with Low Voltage Landscape Lighting Power Units. FOR OUTDOOR USE ONLY.

Amperage not to exceed 25 AMPS per circuit

Voltage not to exceed 15 VOLTS per circuit

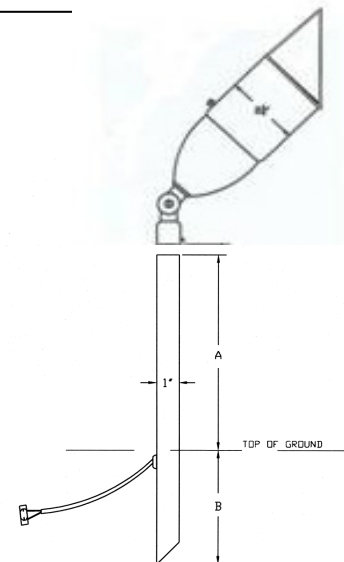
Warning: Luminaire must be installed in accordance with the National Electric Code (NEC) and all Local Codes. Failure to comply with NEC and/or Local Codes may cause serious injury and could destroy the luminaire. Failure to comply with NEC and Local Codes will void all warranties.

Safety Warning: LAMP IS HOT WHEN LUMINAIRE IS ON! Hot lamp creates risk of fire and injury to persons. Keep away from combustibles. Lamp gets hot very quickly. Turn off or unplug luminaire and allow lamp to cool to change bulb. Do not touch lamp with bare hands. When using this fixture with high wattage halogen lamps (35W MAXIMUM), keep luminaire away from children as luminaire may become VERY HOT. Do not install luminaire within 10 feet (3.05 meters) of a pool, spa, fountain, or pond. Do not cover or bury luminaire and keep luminaire clear of debris. Use only UL compliant components including low-voltage power units, cable, wire connectors, and any other component necessary. **CAUTION: Luminaire is NOT submersible!**

NOTE: Do not exceed the maximum wattage rating or maximum amperage rating of the power unit (transformer) used when installing multiple luminaires.

INSTALLATION GUIDELINES – STAKE MOUNTED MODEL

1. Disconnect or unplug transformer from power source.
2. This style of Directional Light is a complete luminaire and designed to be mounted on a ground stake.
3. Drive the ground stake into the ground at the desired location and depth (see “B”) with the included installation driver tool.
4. Connect the matching male and female terminals on the ground stake and luminaire, slide the socket onto the ground stake and secure the position desired using the brass screws on the adjustable knuckle.
5. Connect the wire terminals to the main lead to the transformer using included Quick Connect lead connectors.
6. Cable may be buried if desired to a maximum depth of 6 inches underground.
7. Do not exceed 12 Volts at the luminaire.
8. Recommended Lamp: 5W MR16 LED



Save these instructions!





CSx Professional Series Landscape Lighting System

Additional Helpful Installation Instructions

Quick Connectors & Installation



Quick Connects are a fast and easy method for connecting P. M. Lighting landscape lighting luminaires to the **Main Supply Cable** running to the power transformer. These connectors will work on both 14 gauge and 12 gauge cable for home runs. Simply position the cable between the 2 halves of the Quick Connects as shown and squeeze the parts together tightly to pierce both wires with the metal conductors. The teeth on the ratchet devices lock the pierced terminals into place to securely hold the connection over time.

To install or replace Quick Connects,

1. Cut the old Quick Connect parts from the wires (if replacing old ones) and strip the end of the wires to approximately ½” in length.
2. Use the wire nuts included in the replacement kit to connect each side of the Quick Connect to the 18 gauge wire on the luminaire.
3. Attach and secure the new Quick Connect as outlined above.

Using the Stake Installation Tool



LEFT PICTURE: Slide the Stake Installation Tool over the top of the copper stake until it bottoms out in the hole. When installing the ground stakes for bullet lights, make sure the wires are carefully tucked inside the stake to avoid cutting or damaging the cable.



RIGHT PICTURE: Position the stake in the location desired and hammer the stake directly into the ground approximately 6 inches, being careful to keep the stake in an upright and straight position. Use a dead blow mallet to minimize the risk of damaging the light socket in power stakes.

Save these instructions!

